

Catalog | April 2017

Low voltage Mining motors

Алматы (7273)495-231
 Ангарск (3955)60-70-56
 Архангельск (8182)63-90-72
 Астрахань (8512)99-46-04
 Барнаул (3852)73-04-60
 Белгород (4722)40-23-64
 Благовещенск (4162)22-76-07
 Брянск (4832)59-03-52
 Владивосток (423)249-28-31
 Владикавказ (8672)28-90-48
 Владимир (4922)49-43-18
 Волгоград (844)278-03-48
 Вологда (8172)26-41-59
 Воронеж (473)204-51-73
 Екатеринбург (343)384-55-89

Иваново (4932)77-34-06
 Ижевск (3412)26-03-58
 Иркутск (395)279-98-46
 Казань (843)206-01-48
 Калининград (4012)72-03-81
 Калуга (4842)92-23-67
 Кемерово (3842)65-04-62
 Киров (8332)68-02-04
 Коломна (4966)23-41-49
 Кострома (4942)77-07-48
 Краснодар (861)203-40-90
 Красноярск (391)204-63-61
 Курск (4712)77-13-04
 Курган (3522)50-90-47
 Липецк (4742)52-20-81

Магнитогорск (3519)55-03-13
 Москва (495)268-04-70
 Мурманск (8152)59-64-93
 Набережные Челны (8552)20-53-41
 Нижний Новгород (831)429-08-12
 Новокузнецк (3843)20-46-81
 Ноябрьск (3496)41-32-12
 Новосибирск (383)227-86-73
 Омск (3812)21-46-40
 Орел (4862)44-53-42
 Оренбург (3532)37-68-04
 Пенза (8412)22-31-16
 Петрозаводск (8142)55-98-37
 Псков (8112)59-10-37
 Пермь (342)205-81-47

Ростов-на-Дону (863)308-18-15
 Рязань (4912)46-61-64
 Самара (846)206-03-16
 Санкт-Петербург (812)309-46-40
 Саратов (845)249-38-78
 Севастополь (8692)22-31-93
 Саранск (8342)22-96-24
 Симферополь (3652)67-13-56
 Смоленск (4812)29-41-54
 Сочи (862)225-72-31
 Ставрополь (8652)20-65-13
 Сургут (3462)77-98-35
 Сыктывкар (8212)25-95-17
 Тамбов (4752)50-40-97
 Тверь (4822)63-31-35

Тольятти (8482)63-91-07
 Томск (3822)98-41-53
 Тула (4872)33-79-87
 Тюмень (3452)66-21-18
 Ульяновск (8422)24-23-59
 Улан-Удэ (3012)59-97-51
 Уфа (347)229-48-12
 Хабаровск (4212)92-98-04
 Чебоксары (8352)28-53-07
 Челябинск (351)202-03-61
 Череповец (8202)49-02-64
 Чита (3022)38-34-83
 Якутск (4112)23-90-97
 Ярославль (4852)69-52-93

Россия +7(495)268-04-70

Казахстан +7(7172)727-132

Киргизия +996(312)96-26-47

<https://abbengines.nt-rt.ru/> || aeg@nt-rt.ru

With expertise, and a comprehensive portfolio of products and life-cycle services, we help value-minded industrial customers improve their energy efficiency and productivity.



Low voltage mining motors for European market

Sizes 71 to 450, 0.12 to 1000 kW

General information	3
Introduction to mining	4
Flameproof mining motors	8
Technical data	9
Dimension drawings	21
Flameproof mining motors in brief	23
Cast iron mining motors	28
Technical data	29
Dimension drawings	44
Cast iron motors in brief	46
Total product offering	49

Introduction to mining



ABB has over 125 years of experience in manufacturing low voltage (LV) motors, and has been supplying mining motors from iron ore mines in Sweden and copper mines in Chile to coal mines in Australia. They are deployed in a broad range of applications, including conveyors, slurry and dewatering pumps, screens, ventilation fans, drill rigs, as well as crushers and mills.

ABB supplies two LV motor ranges for mining: cast iron motors suitable for the majority of mining applications and certified Ex d flameproof motors for group I applications where explosive gases may be present.

The mining motors are products of ABB's strong commitment to R&D, which delivers new technologies that create real value for motor users. Recent examples are higher efficiency new technology motors as well as solutions for remote condition monitoring that enable plant operators to reduce downtime, increase motor lifetime and save energy.

In highly competitive global commodities markets, safe, reliable and efficient motors from ABB help mine operators to strengthen their competitive edge by maximizing productivity, minimizing downtime and reducing costs.

Challenging conditions for electric motors

Mines are tough environments for electrical equipment, and ABB mining motors are designed to withstand harsh conditions above and below ground. Challenges that have to be faced include dust and mineral particles, vibration, moisture, heat and temperature fluctuations.

Dust and mineral particles tend to accumulate on the motor frame. This reduces heat dissipation, with the result that the motor will run hotter. The particles cause wear in cooling fans and on the bearing sealing system in motors fitted with conventional contacting rubber lip seals. Compromised seals allow dust, water and other contaminants to enter the bearing housing, which leads to deterioration of the grease and premature bearing failure.

Heavy vibration, which is typical of crusher and screening applications, causes bearing wear and fatigue fractures in the frame or feet. The insulation, particularly the winding overhang, can also be affected if it is not adequately braced and impregnated.

Moisture accelerates corrosion, especially in conjunction with mineral dust. The presence of moisture depends on the application and general site conditions. Moisture is a particular problem in underground coal mining applications, with possible sources of moisture including ingress of water from the

surrounding bedrock, use of water sprays for dust control, and ventilation systems that use water mist to cool the incoming air. Excess heat can cause the grease in the bearings to lose its lubrication capabilities. As a general rule, the lifetime of grease is halved for every 15°C increase in bearing temperature. Excessive heat can also damage the insulation. To avoid these problems, motors should be correctly dimensioned for their application. It is recommended that temperature rise is maintained at class B (80 K) or below to ensure reasonable bearing temperatures.

Cast iron or Ex d flameproof

ABB cast iron motors are suitable for mining operations both above and below ground, including most mines extracting iron, copper, gold, aluminum, diamonds, rare earth minerals, etc.

In cases where an explosive atmosphere may be present – due to flammable gas – certified Ex d flameproof (group I) motors must be used. Explosive atmospheres are usually associated with underground coal mining. The flammable gas is generally methane, which is released from coal seams.

Special features for mining motors

ABB's mining motors are based on proven, reliable platforms with critical components upgraded to ensure they meet and exceed the challenges of the mining sector.

	Cast iron mining motors	Ex d flameproof mining motors
IP66 enclosures	•	•
Labyrinth seals	•*	•**
Steel fan	•	•
Winding temperature detectors (PTC)	•	•
Reinforced fan cover	-	•
Winding heater	- (available as option)	•
C5 category painting (for highly corrosive environments)	- (available as option)	•
Stainless external hardware	- (available as option)	•
Internal corrosion protection	- (available as option)	•

* Shaft height 160 mm and above. Smaller motors fitted with rubber lip seals.

** On small motors (shaft height 80-132 mm) D-end has labyrinth seal and N-end rubber lip seal. On larger motors both ends have metal labyrinth seal.

IP66 enclosures give maximum protection against the ingress of high pressure water, dust and volatile substances. IP66 protection means that the motors can be rinsed with water to clean off dust and dirt and ensure cooler running. The motors are finished in high visibility orange paint.

Labyrinth type bearing seals provide excellent protection against the entry of moisture and dust. These non-contacting seals are non-wearing and maintenance-free. Conventional rubber lip seals may require periodical replacement in dusty environments.

The fan is made of steel, which is more durable against abrasive airborne particles than the composite material used in non-mining motors.

PTC type winding temperature detectors help to further enhance safety and reliability. Temperature detectors protect and safeguard the winding from overheating.

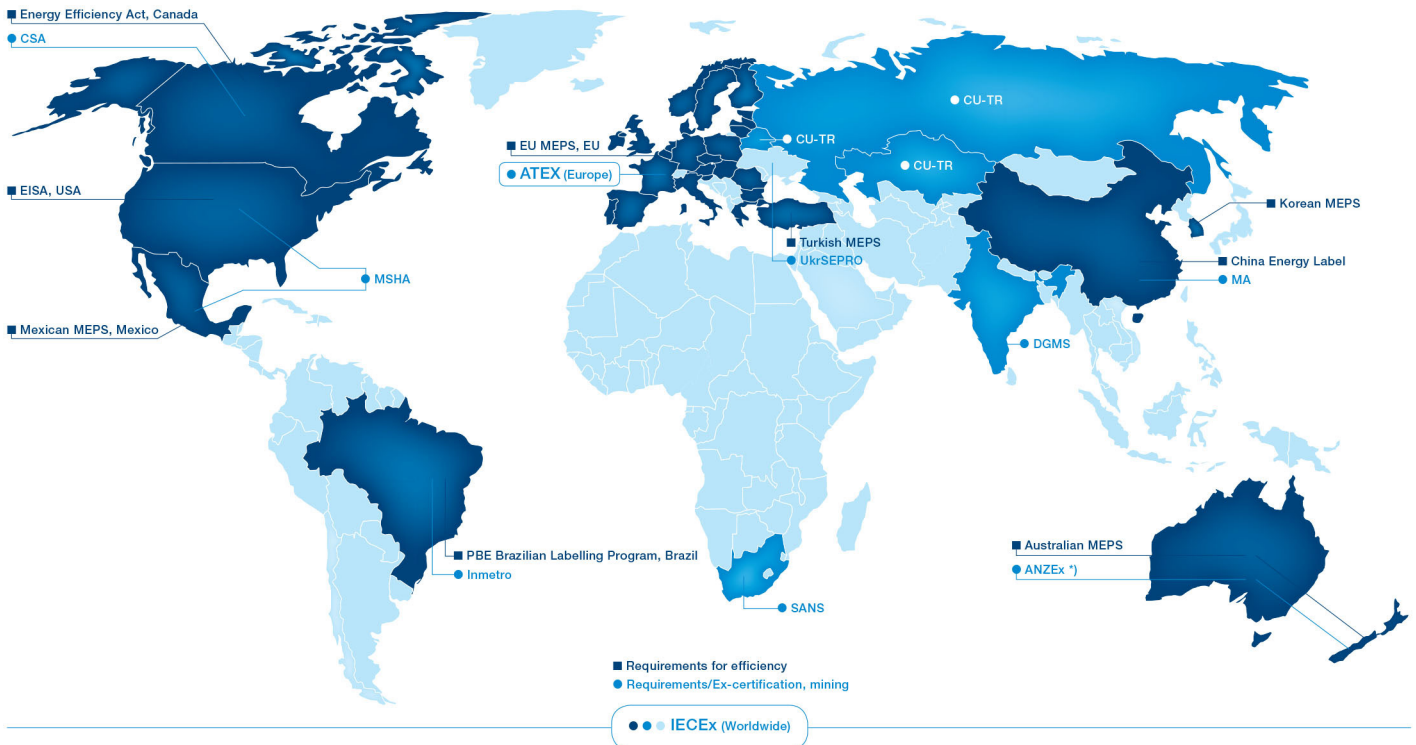
Ex d motors also include a reinforced fan cover, winding heaters, additional internal corrosion protection, stainless steel external hardware and an offshore grade paint finish. These features further enhance the Ex d motors' internal and external corrosion protection as well as their ability to resist damage from impacts.

The motor windings are suitable for any type of variable speed drive (VSD) supply up to 500 V without filters. Special reinforced insulation for VSD duty must be used with supplies above 500 V.

ABB mining motors are suitable as-is for most mining applications, but if required they can be enhanced by adding instrumentation and other accessories, or further tailored to include localized special features.

Support and service

ABB's mining motors are covered by the global ABB sales, support and service network – the most extensive network of any motor vendor. With a presence in more than 100 countries around the world, support is never far away – no matter how remote the location of the customer's mine.



* ANZEx certification, or IECEX certification by an Australian certifier is presently required for installation in Queensland, AU

Energy efficiency and safety regulation

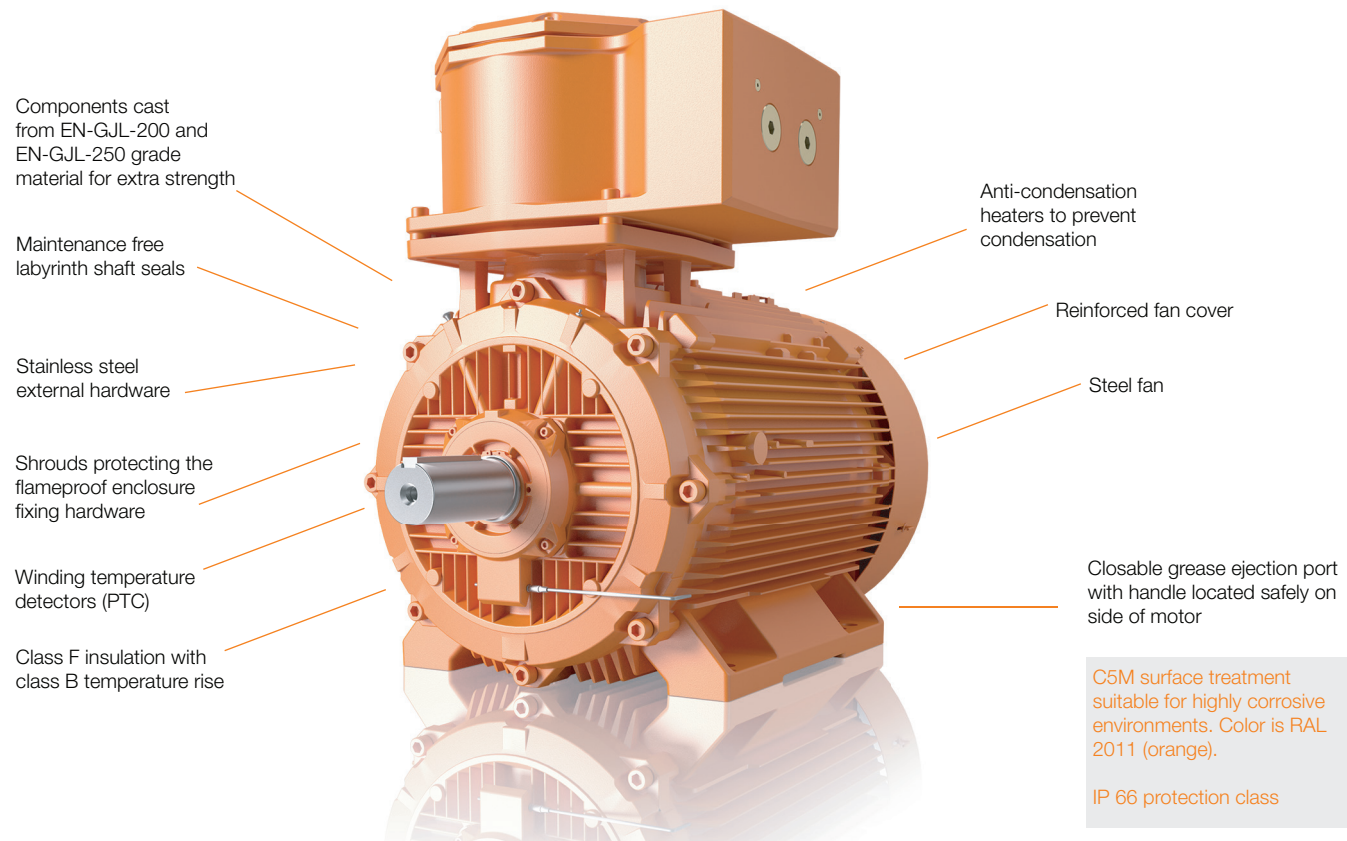
Mining is global industry present on all continents and in almost every country. Legal regulations such as minimum efficiency performance standards (MEPS) and explosive atmosphere certifications vary between countries. Especially Ex-certification schemes among mining industry are geographically very fragmented. Where as in chemical, oil and gas industry almost the entire world can be covered with IECEX certification it is different in mining. In explosive atmosphere mining local, country specific, certification schemes have significant role and compliance to local scheme is mandatory. ABB has wide coverage in global and local explosive atmosphere certifications for electric motors. It is always advisable to let ABB know the country where the motor is to be commissioned.

Our motors are available in IEC efficiency classes IE2, IE3 and IE4, enabling compliance with MEPS standards in Europe and around the world. IE3 and IE4 premium efficiency motors not only use less energy but also run cooler, which helps to extend insulation and bearing lifetimes as well as reducing heat loading in underground mines.

Flameproof mining motors

Flameproof mining motor features	8
Technical data IE2 400 V 50 Hz	9
3000 r/min motors.....	9
1500 r/min motors.....	10
1000 r/min motors.....	11
750 r/min motors.....	12
Technical data IE3 400V 50Hz	13
3000 and 1500 r/min motors.....	13
1000 and 750 r/min motors.....	14
Technical data IE3 1000V 50Hz	15
3000 and 1500 r/min motors.....	15
1000 and 750 r/min motors.....	17
Variant codes	19
Dimension drawings	21
Flameproof mining motors in brief	23
Motor sizes 71 - 132.....	23
Motor sizes 160 - 250.....	24
Motors sizes 280 - 450.....	25

Flameproof mining motor features



Ex d flameproof group I mining motors are used in areas where explosive atmospheres may be present, either above or below ground.

Flameproof mining motors	
Output	0.55 - 710 kW
Frame sizes	IEC 80 - 450
Poles	2 - 8
Efficiency classes	IE2, IE3, IE4
Voltages	230 - 1250 V (DOL) Up to 500 V (VSD)*
Certification	ATEX, IECEx
Marking	Ex d I Mb, ATEX cat. M2

* Reinforced insulation for higher VSD voltages optionally available.

The motors are supplied with both ATEX and IECEx marking as standard, and meet the requirements of IECEx Equipment Protection Level (EPL) Mb.

They comply with the impact resistance testing and hardware protection requirements of IEC/EN Standards 60079-0 and 60079-1 and vastly exceed the 20 joule impact energy requirement. The fan cover is manufactured from fracture resistant mild steel, in thickness greatly exceeding industry standard. External bolts and screws are made from acid proof stainless steel and protected by shrouds against impacts and shearing off.

The C5M surface treatment for highly corrosive environments (ISO 12944) features zinc primer with an extra-thick layer of paint. The IP66 protection class keeps water and dust out of the motor and especially out of the bearing housing.

A steel fan provides higher reliability in dusty environments where abrasive particles in the cooling air would cause wear on less durable fan materials.

Labyrinth seals, also a standard feature, are non-contacting, maintenance-free and very effective at keeping moisture and dust out of the bearing housing.

Winding heaters can be used to repel moisture during extended standstill periods. When energized, the heaters will maintain motor internal temperature above ambient, preventing humidity in the air condensing as water inside the motor frame. The standard heaters are suitable for a 200-240 V supply, with other voltages available on request.

Technical data for Ex d I Mb IE2 flameproof mining motors 3000 r/min

Technical data for 400 V 50 Hz can be found in the table below, data for other voltages on request.

Output kW	Motor type	Product code	Speed r/min	Efficiency IEC 60034-30-1; 2014			Power factor Cosφ	Current		Torque			Moment of inertia J = 1/4 GD ² kgm ²	Weight kg	Sound pressure Level L _{PA} dB
				Full load 100%	3/4 load 75%	1/2 load 50%		I _N A	I _S /I _N	T _N Nm	T _I /T _N	T _b /T _N			
3000 r/min = 2 poles				400 V 50 Hz				CENELEC-design							
0.75	M3JM 80MA 2	3GJM081310-••H	2877	80,1	79,5	75,7	0,85	1,54	7,1	2,4	4,0	4,6	0,0006	39	59
1.5	M3JM 90SLA 2	3GJM091010-••H	2881	82,0	82,2	79,9	0,88	3,00	6,7	4,9	3,0	3,5	0,001	52	61
2.2	M3JM 90SLC 2	3GJM091030-••H	2877	83,7	84,4	83,3	0,89	4,27	7,8	7,3	2,7	3,5	0,0014	55	61
3	M3JM 100LA 2	3GJM101510-••H	2896	84,6	85,1	83,4	0,90	5,70	6,6	9,9	2,0	2,6	0,0036	72	65
4	M3JM 112MB 2	3GJM111320-••H	2891	86,0	87,0	87,0	0,89	7,59	6,9	13,2	2,5	3,0	0,0043	75	65
5.5	M3JM 132SMB 2	3GJM131220-••H	2905	87,0	86,4	84,4	0,89	10,5	6,8	18,0	2,6	3,4	0,009	101	71
7.5	M3JM 132SMD 2	3GJM131240-••H	2914	89,2	89,7	88,7	0,90	13,7	7,5	24,6	3,3	3,6	0,012	113	71
18.5	M3JM 160MLC 2	3GJM161430-••H	2934	91,6	92,4	92,3	0,90	32,4	7,4	60,3	3,1	3,5	0,062	240	69
22	M3JM 180MLA 2	3GJM181410-••H	2938	91,7	92,3	91,8	0,90	39,1	7,0	71,4	2,5	3,2	0,089	274	69
30	M3JM 200MLA 2	3GJM201410-••G	2956	92,8	93,3	92,6	0,88	52,7	7,4	96,9	3,0	3,2	0,15	321	74
37	M3JM 200MLC 2	3GJM201430-••G	2954	93,6	94,0	93,4	0,89	64,7	7,5	120	2,8	3,2	0,19	351	75
45	M3JM 225SMB 2	3GJM221220-••G	2968	93,8	93,9	93,0	0,87	78,8	7,2	144	2,7	3,0	0,26	413	76
55	M3JM 250SMA 2	3GJM251210-••G	2975	94,3	94,2	93,2	0,89	95,1	7,8	176	2,4	3,1	0,49	454	75
75	M3JM 280SMA 2	3GJM281210-••G	2977	94,3	93,8	92,2	0,88	131	7,6	240	2,1	3,0	0,8	644	77
90	M3JM 280SMB 2	3GJM281220-••G	2976	94,6	94,7	93,8	0,89	154	7,4	288	2,1	2,9	0,9	684	77
110	M3JM 315SMA 2	3GJM311210-••G	2982	94,9	94,4	92,9	0,86	197	7,4	352	2,2	3,2	1,2	1002	78
132	M3JM 315SMB 2	3GJM311220-••G	2982	95,1	94,8	93,6	0,88	227	7,4	422	2,2	3,0	1,4	962	78
160	M3JM 315SMC 2	3GJM311230-••G	2981	95,4	95,2	94,2	0,89	271	7,5	512	2,3	3,0	1,7	1047	78
200	M3JM 315MLA 2	3GJM311410-••G	2980	95,7	95,7	94,9	0,90	335	7,7	640	2,6	3,0	2,1	1212	78
250	M3JM 355SMA 2	3GJM351210-••G	2984	95,7	95,5	94,5	0,89	423	7,7	800	2,1	3,3	3,0	1634	83
315	M3JM 355SMB 2	3GJM351220-••G	2980	95,7	95,6	94,9	0,89	531	7,0	1009	2,1	3,0	3,4	1714	83
355	M3JM 355SMC 2	3GJM351230-••G	2984	95,7	95,7	94,9	0,88	603	7,2	1136	2,2	3,0	3,6	1974	83
400	M3JM 355MLA 2	3GJM351410-••G	2982	96,9	96,7	96,0	0,88	677	7,1	1280	2,3	2,9	4,1	2224	83
450	M3JM 355MLB 2	3GJM351420-••G	2983	97,1	97,0	96,4	0,90	743	7,9	1440	2,2	2,9	4,3	2304	83
500	M3JM 355LKA 2	3GJM351810-••G	2982	96,9	96,9	96,5	0,90	827	7,5	1601	2,0	3,9	4,8	2544	83
560	M3JM 400LA 2	3GJM401510-••G	2988	97,2	97,2	96,6	0,89	934	7,8	1789	2,5	3,7	7,9	3264	82
560	M3JM 400LKA 2	3GJM401810-••G	2988	97,2	97,2	96,6	0,89	934	7,8	1789	2,5	3,7	7,9	3264	82
630	M3JM 400LB 2	3GJM401520-••G	2987	97,4	97,2	96,7	0,89	1049	7,6	2014	2,6	3,7	8,2	3364	82
630	M3JM 400LKB 2	3GJM401820-••G	2987	97,4	97,2	96,7	0,89	1049	7,6	2014	2,6	3,7	8,2	3364	82
710	M3JM 400LKC 2	3GJM401830-••G	2987	97,5	97,4	96,9	0,89	1178	7,2	2270	2,6	3,4	9,3	3614	82
710	M3JM 400LC 2	3GJM401530-••G	2987	97,5	97,4	96,9	0,89	1178	7,2	2270	2,6	3,4	9,3	3614	82

Output kW	Motor type	Product code	Speed r/min	Efficiency IEC 60034-30-1; 2014			Power factor Cosφ	Current		Torque			Moment of inertia J = 1/4 GD ² kgm ²	Weight kg	Sound pressure Level L _{PA} dB
				Full load 100%	3/4 load 75%	1/2 load 50%		I _N A	I _S /I _N	T _N Nm	T _I /T _N	T _b /T _N			
3000 r/min = 2 poles				400 V 50 Hz				High-output design							
9.2 ¹⁾	M3JM 132SME 2	3GJM131250-••H	2875	86,9	88,2	87,9	0,91	16,9	6,0	30,6	2,6	2,9	0,012	113	71
22 ¹⁾	M3JM 160MLD 2	3GJM161440-••H	2929	91,2	91,9	91,4	0,90	38,3	7,5	71,7	3,1	3,3	0,07	246	77
30	M3JM 180MLB 2	3GJM181420-••H	2943	92,5	93,2	92,6	0,90	52,2	7,1	97,2	2,3	3,2	0,13	307	78
37	M3JM 180MLC 2	3GJM181430-••H	2950	92,8	93,1	92,8	0,90	64,9	8,1	120	3,3	3,7	0,13	307	77
45	M3JM 200MLE 2	3GJM201450-••G	2945	93,3	93,5	93,1	0,88	79,4	7,3	146	2,9	3,1	0,22	356	79
55	M3JM 225SMC 2	3GJM221230-••G	2965	93,9	94,2	93,5	0,88	95,8	7,1	177	2,6	3,0	0,29	433	80
75	M3JM 250SMB 2	3GJM251220-••G	2969	93,8	93,9	93,2	0,89	129	7,9	241	2,6	3,1	0,57	514	80
90	M3JM 250SMC 2	3GJM251230-••G	2965	94,4	94,5	93,9	0,89	153	7,7	289	2,5	3,0	0,59	524	80
110	M3JM 280SMC 2	3GJM281230-••G	2978	95,1	95,1	94,5	0,90	186	7,9	352	2,4	3,0	1,15	744	77

¹⁾ Efficiency class IE1

Technical data for Ex d I Mb IE2 flameproof mining motors 1500 r/min

Technical data for 400 V 50 Hz can be found in the table below, data for other voltages on request.

Output kW	Motor type	Product code	Speed r/min	Efficiency IEC 60034-30-1; 2014			Power factor Cosφ	Current		Torque			Moment of inertia J = 1/4 GD ² kgm ²	Weight kg	Sound pressure Level L _{PA} dB
				Full load 100%	3/4 load 75%	1/2 load 50%		I _N A	I _S /I _N	T _N Nm	T _I /T _N	T _b /T _N			
1500 r/min = 4 poles															
				400 V 50 Hz			CENELEC-design								
0.55 ¹⁾	M3JM 80MA 4	3GJM082310-••H	1421	75,4	74,9	71,3	0,73	1,40	4,9	3,6	2,3	2,7	0,001	40	59
0.75	M3JM 80MB 4	3GJM082320-••H	1416	80,2	80,1	77,5	0,75	1,87	5,4	5,0	2,7	3,1	0,0012	42	59
1.1	M3JM 90SLA 4	3GJM092010-••H	1432	82,2	82,1	79,6	0,77	2,52	5,9	7,3	2,5	3,3	0,002	53	54
1.5	M3JM 90SLC 4	3GJM092030-••H	1431	83,2	83,6	81,9	0,78	3,33	6,6	10,0	3,3	3,7	0,003	55	54
2.2	M3JM 100LA 4	3GJM102510-••H	1437	85,5	86,5	85,8	0,84	4,42	5,9	14,6	2,3	3,0	0,0075	72	52
3	M3JM 100LB 4	3GJM102520-••H	1444	86,5	87,5	86,8	0,83	6,10	6,4	19,9	2,7	3,4	0,0081	74	59
4	M3JM 112MC 4	3GJM112330-••H	1458	88,2	87,7	85,4	0,78	8,59	9,2	26,3	3,4	4,9	0,013	83	61
5.5	M3JM 132SMB 4	3GJM132220-••H	1458	89,5	89,2	87,3	0,80	11,7	7,9	36,0	3,7	3,8	0,023	115	60
7.5	M3JM 132SMD 4	3GJM132240-••H	1460	89,2	89,0	87,3	0,76	16,7	8,2	49,2	3,8	4,2	0,034	118	60
11	M3JM 160MLC 4	3GJM162430-••H	1470	91,2	91,3	90,0	0,82	21,5	8,0	71,5	3,1	3,6	0,096	239	62
15	M3JM 160MLE 4	3GJM162450-••H	1467	92,0	92,3	91,8	0,84	28,5	8,0	97,7	3,3	3,2	0,13	262	61
18.5	M3JM 180MLA 4	3GJM182410-••H	1474	91,6	92,1	91,5	0,83	35,7	7,2	120	2,6	3,1	0,19	286	62
22	M3JM 180MLB 4	3GJM182420-••H	1474	92,2	92,5	91,9	0,82	42,0	7,7	142	2,8	3,4	0,23	305	62
30	M3JM 200MLB 4	3GJM202420-••G	1471	92,5	93,2	93,1	0,84	55,0	7,4	194	3,0	2,8	0,34	351	61
37	M3JM 225SMB 4	3GJM222220-••G	1480	93,6	93,9	93,4	0,85	69,0	7,1	239	3,2	2,9	0,42	414	67
45	M3JM 225SMC 4	3GJM222230-••G	1477	93,8	94,2	94,0	0,86	78,4	7,6	291	3,2	2,7	0,49	438	67
55	M3JM 250SMA 4	3GJM252210-••G	1479	94,3	94,3	93,6	0,84	100	7,2	355	2,5	3,1	0,72	429	66
75	M3JM 280SMA 4	3GJM282210-••G	1484	94,5	94,7	94,4	0,85	134	6,9	482	2,5	2,8	1,25	645	68
90	M3JM 280SMB 4	3GJM282220-••G	1483	94,7	95,0	94,5	0,85	160	7,2	579	2,5	2,7	1,5	785	68
110	M3JM 315SMA 4	3GJM312210-••G	1487	95,1	95,1	94,3	0,86	194	7,2	706	2,3	2,8	2,3	923	70
132	M3JM 315SMB 4	3GJM312220-••G	1487	95,4	95,4	94,7	0,86	232	7,1	847	2,3	2,7	2,6	983	70
160	M3JM 315SMC 4	3GJM312230-••G	1487	95,3	95,3	94,8	0,85	284	7,2	1027	2,4	2,9	2,9	1023	70
200	M3JM 315MLA 4	3GJM312410-••G	1486	95,6	95,6	95,3	0,86	351	7,2	1285	2,5	2,9	3,5	1183	70
250	M3JM 355SMA 4	3GJM352210-••G	1488	95,9	96,0	95,5	0,85	442	7,1	1604	2,3	2,7	5,9	1644	74
315	M3JM 355SMB 4	3GJM352220-••G	1488	95,9	96,2	95,8	0,86	550	7,3	2021	2,3	2,8	6,9	1814	74
355	M3JM 355SMC 4	3GJM352230-••G	1487	95,9	96,2	95,9	0,87	614	6,8	2279	2,4	2,7	7,2	2044	78
400	M3JM 355MLA 4	3GJM352410-••G	1489	96,3	96,3	95,9	0,85	705	6,8	2565	2,3	2,6	8,4	2364	78
450	M3JM 355MLB 4	3GJM352420-••G	1490	96,4	96,5	96,1	0,86	780	6,9	2884	2,3	2,9	8,4	2364	78
500	M3JM 355LKA 4	3GJM352810-••G	1490	97,0	97,0	96,5	0,86	865	6,8	3204	2,0	3,0	10	2724	78
560 ²⁾	M3JM 400LA 4	3GJM402510-••G	1491	96,8	96,8	96,3	0,85	982	7,4	3586	2,4	2,8	15	3234	78
560 ²⁾	M3JM 400LKA 4	3GJM402610-••G	1491	96,8	96,8	96,3	0,85	982	7,4	3586	2,4	2,8	15	3234	78
630	M3JM 400LB 4	3GJM402520-••G	1491	97,0	97,0	96,5	0,87	1077	7,6	4034	2,2	2,9	16	3614	78
630	M3JM 400LKB 4	3GJM402820-••G	1491	97,0	97,0	96,5	0,87	1077	7,6	4034	2,2	2,9	16	3614	78
710 ²⁾	M3JM 400LKC 4	3GJM402830-••G	1491	97,1	97,1	96,7	0,86	1227	7,6	4547	2,4	3,0	17	3714	78
710 ²⁾	M3JM 400LC 4	3GJM402530-••G	1491	97,1	97,1	96,7	0,86	1227	7,6	4547	2,4	3,0	17	3714	78

Output kW	Motor type	Product code	Speed r/min	Efficiency IEC 60034-30-1; 2014			Power factor Cosφ	Current		Torque			Moment of inertia J = 1/4 GD ² kgm ²	Weight kg	Sound pressure Level L _{PA} dB
				Full load 100%	3/4 load 75%	1/2 load 50%		I _N A	I _S /I _N	T _N Nm	T _I /T _N	T _b /T _N			
1500 r/min = 4 poles															
				400 V 50 Hz			High-output design								
9.2 ¹⁾	M3JM 132SME 4	3GJM132250-••H	1446	88,4	89,2	88,1	0,80	18,7	6,0	60,7	2,7	3,0	0,034	118	60
18.5	M3JM 160MLF 4	3GJM162460-••H	1469	91,8	92,2	91,6	0,83	35,0	8,2	120	3,5	3,8	0,13	262	68
22 ¹⁾	M3JM 160MLG 4	3GJM162470-••H	1466	90,8	91,1	90,3	0,81	43,9	8,3	143	2,9	3,9	0,13	262	68
30 ¹⁾²⁾	M3JM 180MLC 4	3GJM182430-••H	1466	92,1	92,4	91,8	0,81	59,6	7,6	195	2,2	3,3	0,248	313	66
37	M3JM 200MLC 4	3GJM202430-••G	1475	93,0	93,1	92,4	0,82	70,5	7,5	239	3,5	3,2	0,34	351	73
55	M3JM 225SMD 4	3GJM222240-••G	1483	94,3	94,4	93,9	0,83	101	7,4	354	3,4	2,9	0,55	558	68
62 ¹⁾	M3JM 225SME 4	3GJM222250-••G	1480	93,5	93,6	92,8	0,84	114	7,7	400	3,5	2,9	0,55	558	74
75 ¹⁾	M3JM 250SMB 4	3GJM252220-••G	1476	93,8	94,2	93,9	0,86	135	7,0	485	2,6	2,9	0,88	519	73
86	M3JM 250SMC 4	3GJM252230-••G	1477	94,9	95,3	95,0	0,85	155	7,8	556	2,9	3,5	0,98	515	74
110	M3JM 280SMC 4	3GJM282230-••G	1485	95,1	95,4	95,1	0,86	193	7,6	707	3,0	3,0	1,85	745	68

¹⁾ Efficiency class IE1 ²⁾ Temperature rise class F

Technical data for Ex d I Mb IE2 flameproof mining motors 1000 r/min

Technical data for 400 V 50 Hz can be found in the table below, data for other voltages on request.

Output kW	Motor type	Product code	Speed r/min	Efficiency IEC 60034-30-1; 2014			Power factor Cosφ	Current		Torque			Moment of inertia J = 1/4 GD ² kgm ²	Weight kg	Sound pressure Level L _{PA} dB
				Full load 100%	3/4 load 75%	1/2 load 50%		I _N A	I _S /I _N	T _N Nm	T _I /T _N	T _b /T _N			
1000 r/min = 6 poles															
400 V 50 Hz															
CENELEC-design															
0.37	M3JM 80MA 6	3GJM083310-●●H	952	71,6	69,3	63,5	0,58	1,37	4,3	3,7	3,6	3,9	0,0022	40	50
0.55	¹⁾ M3JM 80MB 6	3GJM083320-●●H	938	70,3	69,0	63,6	0,65	1,80	4,1	5,6	2,7	3,1	0,0022	40	50
0.75	M3JM 90SLA 6	3GJM093010-●●H	946	79,2	78,2	74,1	0,64	2,12	5,5	7,6	3,1	3,6	0,0037	54	44
1.1	M3JM 90SLC 6	3GJM093030-●●H	938	78,5	77,9	74,3	0,70	3,08	5,0	11,3	2,7	3,0	0,0048	55	44
1.5	M3JM 100LA 6	3GJM103510-●●H	951	81,6	81,4	78,8	0,72	3,69	5,3	15,1	2,2	3,0	0,012	71	54
2.2	M3JM 112MB 6	3GJM113320-●●H	950	81,8	81,5	78,6	0,72	5,50	5,0	22,1	2,1	2,8	0,014	75	54
3	M3JM 132SMB 6	3GJM133220-●●H	961	84,0	84,3	82,5	0,75	6,78	6,0	29,8	1,9	3,2	0,032	109	57
4	M3JM 132SMC 6	3GJM133230-●●H	967	85,7	85,6	83,6	0,75	9,27	6,3	39,5	2,1	3,4	0,034	111	57
5.5	M3JM 132SMD 6	3GJM133240-●●H	967	87,5	87,7	86,2	0,72	12,7	7,2	54,3	2,3	3,6	0,039	113	62
7.5	M3JM 160MLA 6	3GJM163410-●●H	965	87,6	88,6	88,3	0,78	15,8	6,4	74,2	1,7	2,9	0,126	260	65
11	M3JM 160MLB 6	3GJM163420-●●H	972	90,1	91,0	90,4	0,81	22,1	6,9	108	2,4	3,5	0,126	260	65
15	M3JM 180MLB 6	3GJM183420-●●H	973	90,5	91,1	90,5	0,82	29,7	6,8	147	1,8	3,0	0,25	313	58
18.5	M3JM 200MLA 6	3GJM203410-●●G	983	90,5	90,9	90,2	0,82	36,2	7,1	179	3,2	3,1	0,37	311	66
22	M3JM 200MLB 6	3GJM203420-●●G	983	91,6	92,0	91,5	0,82	42,8	7,5	213	3,2	3,2	0,43	331	61
30	M3JM 225SMB 6	3GJM223220-●●G	985	92,2	92,7	92,4	0,82	57,9	7,4	290	3,4	3,0	0,64	398	61
45	M3JM 280SMA 6	3GJM283210-●●G	990	93,4	93,8	93,5	0,83	83,8	7,0	434	2,5	2,5	1,85	726	66
55	M3JM 280SMB 6	3GJM283220-●●G	990	93,8	94,2	93,9	0,84	100	7,0	530	2,7	2,6	2,2	666	66
75	M3JM 315SMA 6	3GJM313210-●●G	992	94,4	94,4	93,5	0,82	139	7,4	721	2,4	2,8	3,2	855	70
90	M3JM 315SMB 6	3GJM313220-●●G	992	94,8	94,7	94,1	0,84	166	7,5	866	2,4	2,8	4,1	955	70
110	M3JM 315SMC 6	3GJM313230-●●G	991	95,0	95,0	94,6	0,83	201	7,4	1059	2,5	2,9	4,9	1125	70
132	M3JM 315MLA 6	3GJM313410-●●G	991	95,3	95,4	94,9	0,83	240	7,5	1271	2,7	3,0	5,8	1175	68
160	M3JM 355SMA 6	3GJM353210-●●G	993	95,4	95,6	95,2	0,83	291	7,0	1538	2,0	2,6	7,9	1554	75
200	M3JM 355SMB 6	3GJM353220-●●G	993	95,7	95,9	95,7	0,83	364	7,2	1923	2,2	2,7	9,7	1714	75
250	M3JM 355SMC 6	3GJM353230-●●G	993	95,7	95,8	95,4	0,82	460	7,4	2404	2,6	2,9	11,3	1854	75
315	M3JM 355MLB 6	3GJM353420-●●G	992	95,7	96,0	95,5	0,83	570	7,0	3032	2,5	2,7	13,5	2214	75
355	M3JM 355LKA 6	3GJM353810-●●G	992	95,7	95,9	95,4	0,81	658	7,6	3417	2,7	2,9	15,5	2724	75
400	M3JM 400LA 6	3GJM403510-●●G	993	96,2	96,2	95,6	0,82	731	7,1	3846	2,3	2,7	17	3214	76
400	M3JM 400LKA 6	3GJM403810-●●G	993	96,2	96,2	95,6	0,82	731	7,1	3846	2,3	2,7	17	3214	76
450	M3JM 400LB 6	3GJM403520-●●G	994	96,6	96,6	96,1	0,82	819	7,4	4323	2,4	2,8	20,5	3464	76
450	M3JM 400LKB 6	3GJM403820-●●G	994	96,6	96,6	96,1	0,82	819	7,4	4323	2,4	2,8	20,5	3464	76
500	M3JM 400LC 6	3GJM403530-●●G	993	96,6	96,5	96,1	0,83	891	7,2	4809	2,5	2,7	22	3614	76
500	M3JM 400LKC 6	3GJM403830-●●G	993	96,6	96,5	96,1	0,83	891	7,2	4809	2,5	2,7	22	3614	76
560	M3JM 400LD 6	3GJM403540-●●G	993	96,9	96,9	96,4	0,85	984	7,4	5386	2,4	2,8	24	3714	77
560	M3JM 400LKD 6	3GJM403840-●●G	993	96,9	96,9	96,4	0,85	984	7,4	5386	2,4	2,8	24	3714	77
610	M3JM 450LA 6	3GJM453510-●●G	994	96,6	96,6	96,2	0,83	1098	7,1	5860	1,4	2,9	31	4362	81

Output kW	Motor type	Product code	Speed r/min	Efficiency IEC 60034-30-1; 2014			Power factor Cosφ	Current		Torque			Moment of inertia J = 1/4 GD ² kgm ²	Weight kg	Sound pressure Level L _{PA} dB
				Full load 100%	3/4 load 75%	1/2 load 50%		I _N A	I _S I _N	T _N Nm	T _I T _N	T _b T _N			
1000 r/min = 6 poles															
400 V 50 Hz															
High-output design															
14	^{1) 2)} M3JM 160MLC 6	3GJM163430-●●H	969	89,2	89,5	88,5	0,75	30,1	7,5	138	2,8	4,0	0,126	260	64
18.5	¹⁾ M3JM 180MLC 6	3GJM183430-●●H	971	90,1	90,1	88,5	0,74	41,2	7,3	181	2,5	3,7	0,25	313	61
30	¹⁾ M3JM 200MLC 6	3GJM203430-●●G	983	90,6	90,8	89,6	0,81	59,3	7,5	291	3,5	3,4	0,49	351	65
37	¹⁾ M3JM 225SMC 6	3GJM223230-●●G	983	91,8	92,1	92,2	0,83	69,6	7,1	359	3,0	2,8	0,75	428	64
45	M3JM 250SMB 6	3GJM253220-●●G	986	93,1	93,4	93,2	0,84	84,0	7,2	435	3,3	2,8	1,49	521	65
75	M3JM 280SMC 6	3GJM283230-●●G	990	94,2	94,7	94,5	0,84	137	7,3	723	2,8	2,7	2,85	746	66

¹⁾ Efficiency class IE1

²⁾ Temperature rise class F

Technical data for Ex d I Mb IE2 flameproof mining motors 750 r/min

Technical data for 400 V 50 Hz can be found in the table below, data for other voltages on request.

Output kW	Motor type	Product code	Speed r/min	Efficiency IEC 60034-30-1; 2014			Power factor Cosφ	Current		Torque			Moment of inertia J = 1/4 GD ² kgm ²	Weight kg	Sound pressure Level L _{PA} dB
				Full load 100%	3/4 load 75%	1/2 load 50%		I _N A	I _S /I _N	T _N Nm	T _I /T _N	T _b /T _N			
750 r/min = 8 poles															
400 V 50 Hz															
CENELEC-design															
0.18	M3JM 80MA 8	3GJM084310-••H	720	57,7	52,0	43,4	0,42	1,15	3,3	2,4	3,7	4,0	0,0022	40	36
0.25	M3JM 80MB 8	3GJM084320-••H	705	61,4	57,2	49,5	0,51	1,21	3,2	3,4	2,6	2,8	0,0022	40	36
0.37	M3JM 90SLA 8	3GJM094010-••H	697	65,5	63,7	57,6	0,63	1,33	3,0	5,1	2,0	2,2	0,0036	52	36
0.55	M3JM 90SLC 8	3GJM094030-••H	695	68,7	67,7	63,2	0,61	2,01	3,0	7,5	2,2	2,4	0,0037	54	36
0.75	M3JM 100LA 8	3GJM104510-••H	720	76,5	74,1	68,3	0,54	2,66	4,2	9,9	2,4	3,1	0,012	71	54
1.1	M3JM 100LB 8	3GJM104520-••H	717	76,4	74,2	68,7	0,57	3,60	3,7	14,6	2,1	2,9	0,012	71	54
1.5	M3JM 112MC 8	3GJM114330-••H	713	75,3	73,3	67,6	0,54	5,40	3,4	20,1	2,0	3,2	0,014	75	54
2.2	M3JM 132SMC 8	3GJM134230-••H	720	80,3	79,2	75,4	0,65	6,10	4,5	29,1	1,7	2,7	0,034	111	59
3	¹⁾ M3JM 132SMD 8	3GJM134240-••H	711	79,9	80,3	78,1	0,71	7,98	4,1	40,4	1,5	2,8	0,036	113	59
4	M3JM 160MLA 8	3GJM164410-••H	722	83,3	84,7	84,2	0,70	10,3	4,7	52,9	1,6	2,6	0,133	258	59
5.5	M3JM 160MLB 8	3GJM164420-••H	723	86,8	87,2	86,0	0,71	13,5	5,8	72,7	1,9	3,1	0,133	258	53
7.5	²⁾ M3JM 160MLC 8	3GJM164430-••H	718	82,0	84,0	84,0	0,70	19,3	5,7	99,8	2,1	2,9	0,133	258	55
11	M3JM 180MLB 8	3GJM184420-••H	723	88,3	89,2	88,7	0,72	25,5	5,6	145	2,0	3,0	0,245	307	63
15	M3JM 200MLA 8	3GJM204410-••G	734	89,9	90,4	89,5	0,79	30,6	6,9	195	2,4	3,2	0,45	326	56
18.5	M3JM 225SMA 8	3GJM224210-••G	734	90,0	90,7	90,2	0,74	39,2	6,1	240	2,2	3,0	0,61	383	55
22	M3JM 225SMB 8	3GJM224220-••G	732	90,6	91,4	91,2	0,81	45,3	6,5	287	1,9	2,9	0,68	363	56
30	M3JM 250SMA 8	3GJM254210-••G	735	91,6	91,0	90,5	0,78	60,7	6,7	389	2,0	2,9	1,25	441	56
37	M3JM 280SMA 8	3GJM284210-••G	741	91,7	92,0	91,2	0,79	72,6	7,3	476	1,7	3,0	1,85	626	65
45	M3JM 280SMB 8	3GJM284220-••G	741	92,1	92,3	91,7	0,78	89,2	7,6	579	1,8	3,1	2,2	666	65
55	M3JM 315SMA 8	3GJM314210-••G	742	92,4	93,0	92,4	0,79	106	7,1	707	1,6	2,7	3,2	857	62
75	M3JM 315SMB 8	3GJM314220-••G	741	93,0	93,2	93,0	0,82	146	7,1	966	1,7	2,7	4,1	957	62
90	M3JM 315SMC 8	3GJM314230-••G	741	93,3	93,7	93,3	0,82	170	7,4	1159	1,8	2,7	4,9	1027	64
110	M3JM 315MLA 8	3GJM314410-••G	740	93,6	93,9	94,0	0,83	211	7,3	1419	1,8	2,7	5,8	1174	72
132	M3JM 355SMA 8	3GJM354210-••G	744	93,9	93,8	93,3	0,80	256	7,5	1694	1,5	2,6	7,9	1554	69
160	M3JM 355SMB 8	3GJM354220-••G	744	94,3	94,3	93,8	0,77	293	7,6	1926	1,6	2,6	9,7	1714	69
200	M3JM 355SMC 8	3GJM354230-••G	742	94,5	95,0	94,8	0,79	385	7,4	2576	1,6	2,6	11,3	1964	69
250	M3JM 355MLB 8	3GJM354420-••G	743	94,5	94,7	94,1	0,80	472	7,5	3213	1,6	2,7	13,5	2404	72
315	M3JM 400LKA 8	3GJM404810-••G	744	96,1	96,0	95,6	0,81	592	7,0	4043	1,2	2,6	17	3214	71
315	M3JM 400LA 8	3GJM404510-••G	744	96,1	96,0	95,6	0,81	592	7,0	4043	1,2	2,6	17	3214	71
355	M3JM 400LKB 8	3GJM404820-••G	743	96,2	96,3	96,1	0,83	641	6,8	4562	1,2	2,5	21	3514	71
355	M3JM 400LB 8	3GJM404520-••G	743	96,2	96,3	96,1	0,83	641	6,8	4562	1,2	2,5	21	3514	71
400	M3JM 400LKC 8	3GJM404830-••G	744	96,0	96,3	95,8	0,82	735	6,0	5134	1,3	2,7	24	3714	71
400	M3JM 400LC 8	3GJM404530-••G	744	96,0	96,3	95,8	0,82	735	6,0	5134	1,3	2,7	24	3714	71
430	M3JM 450LA 8	3GJM454510-••G	744	95,9	96,1	95,8	0,82	789	6,2	5519	1,0	2,6	26	3962	80
470	M3JM 450LB 8	3GJM454520-••G	744	96,0	96,2	95,8	0,82	861	6,6	6032	1,1	2,7	29	4202	80
530	M3JM 450LC 8	3GJM454530-••G	745	96,1	96,2	95,8	0,81	982	7,3	6793	1,3	3,0	35	4562	80
600	M3JM 450LD 8	3GJM454540-••G	745	96,3	96,3	95,9	0,80	1124	7,9	7690	1,4	3,3	41	5002	80

Output kW	Motor type	Product code	Speed r/min	Efficiency IEC 60034-30-1; 2014			Power factor Cosφ	Current		Torque			Moment of inertia J = 1/4 GD ² kgm ²	Weight kg	Sound pressure Level L _{PA} dB
				Full load 100%	3/4 load 75%	1/2 load 50%		I _N A	I _S /I _N	T _N Nm	T _I /T _N	T _b /T _N			
750 r/min = 8 poles															
400 V 50 Hz															
High-output design															
18.5	M3JM 200MLB 8	3GJM204420-••G	734	89,2	89,8	88,8	0,80	37,1	6,9	240	2,2	3,2	0,54	346	57
30	M3JM 225SMC 8	3GJM224230-••G	731	90,7	91,6	91,6	0,78	61,2	6,3	391	2,3	3,0	0,75	423	59
37	M3JM 250SMB 8	3GJM254220-••G	737	92,2	92,9	92,5	0,79	73,0	7,5	479	2,3	3,4	1,52	521	59
55	M3JM 280SMC 8	3GJM284230-••G	741	93,4	93,7	93,6	0,80	107	7,9	708	1,9	3,1	2,85	746	65

¹⁾ Efficiency class IE1

²⁾ Temperature rise class F

Technical data for Ex d I Mb IE3 flameproof mining motors 3000 and 1500 r/min

Technical data for 400 V 50 Hz can be found in the table below, data for other voltages on request.

Output kW	Motor type	Product code	Speed r/min	Efficiency IEC 60034-30-1; 2014			Power factor Cosφ	Current		Torque			Moment of inertia J = 1/4 GD ² kgm ²	Weight kg	Sound pressure Level L _{PA} dB
				Full load 100%	3/4 load 75%	1/2 load 50%		I _N A	I _s /I _N	T _N Nm	T _r /T _N	T _b /T _N			
3000 r/min = 2 poles				400 V 50 Hz				CENELEC-design							
11	M3JM 160MLA 2	3GJM161410-••L	2943	91,2	92,0	91,6	0,91	19,1	7,2	35,6	2,6	3,6	0,057	233	69
15	M3JM 160MLB 2	3GJM161420-••L	2947	91,9	92,2	91,8	0,88	26,5	8,2	48,5	3,2	4,2	0,063	240	69
18.5	M3JM 160MLC 2	3GJM161430-••L	2949	92,4	93,0	92,6	0,90	32,0	9,0	59,8	3,3	3,9	0,076	254	73
22	M3JM 180MLA 2	3GJM181410-••L	2956	92,7	93,1	92,7	0,90	37,7	7,8	71,0	3,4	3,8	0,11	291	73
30	M3JM 200MLA 2	3GJM201410-••L	2957	93,3	93,8	93,6	0,88	52,4	7,5	96,9	2,5	3,1	0,182	343	73
37	M3JM 200MLB 2	3GJM201420-••L	2960	93,7	94,2	94,1	0,89	64,2	8,2	120	3,1	3,4	0,222	370	73
45	M3JM 225SMA 2	3GJM221210-••L	2968	94,0	94,0	93,0	0,87	79,6	7,3	145	3,2	3,1	0,296	418	76
55	M3JM 250SMA 2	3GJM251210-••L	2968	94,3	93,7	93,6	0,89	94,8	6,8	177	2,4	3,0	0,426	484	76
75	M3JM 280SMB 2	3GJM281220-••L	2978	94,7	94,4	93,5	0,88	130	7,0	240	2,3	3,0	0,9	785	74
90	M3JM 280SMC 2	3GJM281230-••L	2975	95,0	95,0	94,2	0,88	158	6,4	289	2,1	2,8	0,99	814	74
110	M3JM 315SMB 2	3GJM311220-••L	2982	95,2	94,9	93,9	0,87	192	7,0	352	1,8	2,7	1,3	1030	78
132	M3JM 315SMC 2	3GJM311230-••L	2982	95,4	95,4	94,6	0,87	229	6,8	422	2,0	2,8	1,5	1085	78
160	M3JM 315SMD 2	3GJM311240-••L	2983	95,6	95,6	94,9	0,87	275	7,4	512	2,2	2,8	1,7	1142	78
200	M3JM 315MLA 2	3GJM311410-••L	2983	95,8	95,8	95,3	0,88	342	7,7	640	2,5	3,1	2,1	1212	81
250 ³⁾	M3JM 315LKB 2	3GJM311820-••L	2983	95,8	96,0	95,5	0,90	419	7,7	800	2,5	3,3	2,9	1652	81
250	M3JM 355SMA 2	3GJM351210-••L	2985	95,8	95,6	94,6	0,89	423	7,7	800	2,1	3,3	3	1818	83
315	M3JM 355SMB 2	3GJM351220-••L	2980	95,8	95,7	95,0	0,89	529	7,0	1009	2,1	3,0	3,4	1898	83
355	M3JM 355SMC 2	3GJM351230-••L	2984	95,8	95,8	95,0	0,88	605	7,2	1136	2,2	3,0	3,6	1968	83

Output kW	Motor type	Product code	Speed r/min	Efficiency IEC 60034-30-1; 2014			Power factor Cosφ	Current		Torque			Moment of inertia J = 1/4 GD ² kgm ²	Weight kg	Sound pressure Level L _{PA} dB
				Full load 100%	3/4 load 75%	1/2 load 50%		I _N A	I _s /I _N	T _N Nm	T _r /T _N	T _b /T _N			
1500 r/min = 4 poles				400 V 50 Hz				CENELEC-design							
11	M3JM 160MLA 4	3GJM162410-••L	1477	91,4	91,8	91,1	0,82	21,1	7,6	71,3	2,6	3,3	0,11	248	61
15	M3JM 160MLB 4	3GJM162420-••L	1477	92,1	92,4	91,6	0,82	28,5	8,2	97,0	3,0	3,7	0,135	267	61
18.5	M3JM 180MLA 4	3GJM182410-••L	1481	92,6	93,2	92,9	0,83	34,9	7,2	119	2,8	3,0	0,219	300	60
22	M3JM 180MLB 4	3GJM182420-••L	1481	93,0	93,5	93,3	0,82	41,4	6,5	142	3,0	3,2	0,243	304	60
30	M3JM 200MLA 4	3GJM202410-••L	1483	93,6	93,9	93,4	0,84	54,8	7,5	193	2,7	3,2	0,385	371	63
37	M3JM 225SMA 4	3GJM222210-••L	1482	93,9	94,1	93,8	0,83	68,9	7,2	239	3,1	3,1	0,427	407	67
45	M3JM 225SMB 4	3GJM222220-••L	1482	94,2	94,4	94,0	0,84	82,3	8,0	290	3,2	3,5	0,525	444	66
55	M3JM 250SMA 4	3GJM252210-••L	1482	94,6	94,7	94,0	0,84	100	7,1	354	2,9	3,4	0,694	456	68
75	M3JM 280SMB 4	3GJM282220-••L	1485	95,0	95,2	94,8	0,86	133	6,4	483	2,3	2,8	1,38	769	75
90	M3JM 280SMC 4	3GJM282230-••L	1485	95,2	95,5	95,2	0,86	158	7,1	578	2,5	2,9	1,73	829	75
110	M3JM 315SMB 4	3GJM312220-••L	1489	95,4	95,5	95,0	0,84	198	7,0	705	2,1	3,0	2,43	1052	71
132	M3JM 315SMC 4	3GJM312230-••L	1488	95,6	95,9	95,5	0,86	231	6,7	847	2,2	2,9	2,9	1125	71
160	M3JM 315SMD 4	3GJM312240-••L	1488	95,8	96,0	95,8	0,85	282	6,9	1026	2,2	3,0	3,2	1165	71
200	M3JM 315MLB 4	3GJM312420-••L	1487	96,0	96,4	96,4	0,86	351	6,8	1284	2,4	3,0	3,9	1335	74
250 ³⁾	M3JM 315LKA 4	3GJM312810-••L	1488	96,0	96,3	96,1	0,85	442	6,9	1604	2,5	3,2	4,4	1623	78
250	M3JM 355SMA 4	3GJM352210-••L	1491	96,0	96,0	95,6	0,86	435	6,4	1601	2,1	2,9	5,9	1822	78
315	M3JM 355SMB 4	3GJM352220-••L	1491	96,0	96,1	95,7	0,85	550	7,3	2018	2,4	3,3	6,9	1990	78
355	M3JM 355SMC 4	3GJM352230-••L	1490	96,0	96,2	95,8	0,86	616	6,3	2273	2,3	2,8	7,2	2030	78

³⁾ High output design

Technical data for Ex d I Mb IE3 flameproof mining motors 1000 and 750 r/min

Technical data for 400 V 50 Hz can be found in the table below, data for other voltages on request.

Output kW	Motor type	Product code	Speed r/min	Efficiency IEC 60034-30-1; 2014			Power factor Cosφ	Current		Torque			Moment of inertia J = 1/4 GD ² kgm ²	Weight kg	Sound pressure Level L _{PA} dB
				Full load 100%	3/4 load 75%	1/2 load 50%		I _N A	I _S /I _N	T _N Nm	T _I /T _N	T _b /T _N			
1000 r/min = 6 poles				400 V 50 Hz				CENELEC-design							
7.5	M3JM 160MLA 6	3GJM163410-••L	975	89,1	90,0	90,0	0,77	15,7	5,7	73,2	1,4	3,0	0,089	233	59
11	M3JM 160MLB 6	3GJM163420-••L	975	90,3	91,1	91,1	0,78	22,5	6,4	108	1,6	3,1	0,138	266	64
15	M3JM 180MLA 6	3GJM183410-••L	979	91,2	91,9	91,6	0,79	30,1	5,2	147	1,5	2,7	0,212	297	63
18.5	M3JM 200MLA 6	3GJM203410-••L	989	91,7	91,9	91,2	0,82	35,2	6,5	179	2,2	3,2	0,496	351	59
22	M3JM 200MLB 6	3GJM203420-••L	989	92,2	92,4	91,4	0,81	42,4	7,3	212	2,6	3,5	0,585	378	59
30	M3JM 225SMA 6	3GJM223210-••L	988	92,9	93,0	92,2	0,77	60,4	7,7	291	2,9	3,6	0,724	432	63
37	M3JM 250SMA 6	3GJM253210-••L	990	93,3	93,7	93,5	0,80	71,1	6,5	357	2,4	3,1	1,3	517	58
45	M3JM 280SMB 6	3GJM283220-••L	991	93,7	94,0	93,5	0,84	82,0	7,4	433	2,7	3,0	1,87	756	72
55	M3JM 280SMC 6	3GJM283230-••L	992	94,1	94,3	93,8	0,86	99,0	7,5	528	2,8	3,0	2,57	806	71
75	M3JM 315SMB 6	3GJM313220-••L	994	94,6	94,9	94,6	0,84	136	6,8	720	1,8	2,6	4,1	1020	75
90	M3JM 315SMC 6	3GJM313230-••L	994	94,9	95,1	94,7	0,84	164	7,2	864	2,0	3,0	4,6	1096	76
110	M3JM 315SMD 6	3GJM313240-••L	994	95,1	95,3	95,0	0,83	200	7,3	1056	2,2	3,1	4,9	1144	75
132	M3JM 315MLB 6	3GJM313420-••L	995	95,4	95,5	95,1	0,82	242	7,3	1266	2,3	3,2	6,3	1318	72
160	M3JM 355SMA 6	3GJM353210-••L	993	95,6	95,8	95,6	0,82	292	6,7	1538	2,5	2,6	7,9	1668	75
160 ³⁾	M3JM 315LKA 6	3GJM313810-••L	994	95,6	95,8	95,4	0,81	298	7,5	1535	2,2	3,1	7,3	1530	76
200	M3JM 355SMB 6	3GJM353220-••L	993	95,8	96,2	96,1	0,82	365	6,7	1923	2,6	2,5	9,7	1827	75
250	M3JM 355SMC 6	3GJM353230-••L	993	95,8	96,1	95,8	0,81	465	7,7	2404	3,0	3,1	11,3	2044	75
315	M3JM 355MLB 6	3GJM353420-••L	993	95,8	96,1	96,0	0,83	571	6,8	3029	2,6	3,2	13,5	2405	76
355	M3JM 355LKA 6	3GJM353810-••L	993	95,8	96,0	95,9	0,81	653	7,5	3413	2,9	3,2	15,5	2705	76

Output kW	Motor type	Product code	Speed r/min	Efficiency IEC 60034-30-1; 2014			Power factor Cosφ	Current		Torque			Moment of inertia J = 1/4 GD ² kgm ²	Weight kg	Sound pressure Level L _{PA} dB
				Full load 100%	3/4 load 75%	1/2 load 50%		I _N A	I _S /I _N	T _N Nm	T _I /T _N	T _b /T _N			
750 r/min = 8 poles				400 V 50 Hz				CENELEC-design							
37	M3JM 280SMA 8	3GJM284210-••L	742	91,8	92,1	91,4	0,79	73,0	7,3	476	1,7	3,0	1,85	726	65
45	M3JM 280SMB 8	3GJM284220-••L	741	92,2	92,4	91,8	0,78	89,6	7,6	579	1,8	3,1	2,2	766	65
55	M3JM 315SMA 8	3GJM314210-••L	742	92,5	93,1	92,5	0,80	106	7,7	707	1,8	2,7	3,2	960	62
75	M3JM 315SMB 8	3GJM314220-••L	740	93,1	93,3	93,1	0,79	146	7,1	966	1,7	2,7	4,1	1060	62
90	M3JM 315SMC 8	3GJM314230-••L	739	93,4	93,8	93,4	0,81	171	7,4	1159	1,8	2,7	4,9	1130	64
110	M3JM 315MLA 8	3GJM314410-••L	740	93,7	94,0	94,1	0,80	211	7,3	1419	1,8	2,7	5,8	1330	72
132	M3JM 355SMA 8	3GJM354210-••L	744	94,0	93,9	93,4	0,77	256	7,5	1694	1,5	2,6	7,9	1666	69
160	M3JM 355SMB 8	3GJM354220-••L	744	94,3	94,3	93,9	0,77	293	7,6	1926	1,6	2,6	9,7	1826	69
200	M3JM 355SMC 8	3GJM354230-••L	742	94,6	95,1	94,9	0,79	385	7,4	2576	1,6	2,6	11,3	1966	69
250	M3JM 355MLB 8	3GJM354420-••L	743	94,6	94,8	94,2	0,80	472	7,5	3213	1,6	2,7	13,5	2216	72

³⁾ High output design

Technical data for Ex d I Mb IE3 flameproof mining motors 3000 r/min

Technical data for 1000 V 50 Hz can be found in the table below, data for other voltages on request.

Output kW	Motor type	Product code	Speed r/min	Efficiency IEC 60034-30-1; 2014			Power factor Cosφ	Current		Torque			Moment of inertia J = 1/4 GD ² kgm ²	Weight kg	Sound pressure Level L _{PA} dB
				Full load 100%	3/4 load 75%	1/2 load 50%		I _N A	I _S /I _N	T _N Nm	T _r /T _N	T _b /T _N			
3000 r/min = 2 poles				1000 V 50 Hz				CENELEC							
11	M3JM 160MLA 2	3GJM161410-••K	2943	91,2	92,0	91,8	0,92	7,6	8,0	35,7	2,6	3,3	0,052	240	69
15	M3JM 160MLB 2	3GJM161420-••K	2943	91,9	92,9	92,7	0,92	10,2	8,3	48,6	3,1	3,4	0,062	251	69
18.5	M3JM 160MLC 2	3GJM161430-••K	2947	92,4	93,4	93,4	0,93	12,5	8,3	60,0	3,1	3,6	0,072	275	69
22	M3JM 180MLA 2	3GJM181410-••K	2958	92,7	93,4	93,3	0,91	15,0	8,2	71,0	2,6	3,2	0,116	316	69
30	M3JM 200MLA 2	3GJM201410-••K	2958	93,5	94,2	94,1	0,90	20,6	7,7	96,8	2,8	3,1	0,196	369	72
37	M3JM 200MLB 2	3GJM201420-••K	2960	94,0	94,7	94,5	0,91	24,9	8,8	119	3,1	3,4	0,217	381	72
45	M3JM 225SMA 2	3GJM221210-••K	2972	94,8	95,1	94,7	0,89	30,8	7,8	145	3,1	3,0	0,323	470	74
55	M3JM 250SMA 2	3GJM251210-••K	2976	95,1	95,3	94,9	0,89	37,5	8,2	177	2,9	3,4	0,579	523	75
75	M3JM 280SMB 2	3GJM281220-••K	2980	95,3	95,5	94,8	0,87	52,0	7,3	240	2,1	2,9	0,90	785	77
90	M3JM 280SMC 2	3GJM281230-••K	2979	95,6	95,5	95,0	0,89	61,0	7,4	288	2,5	3,2	1,15	856	77
110	M3JM 315SMB 2	3GJM311220-••K	2983	95,8	95,8	95,1	0,89	75,6	6,7	352	2,2	2,9	1,4	1063	77
132	M3JM 315SMC 2	3GJM311230-••K	2982	95,9	96,0	95,7	0,85	89,2	7,0	423	2,4	2,9	1,7	1138	77
160	M3JM 315MLA 2	3GJM311410-••K	2979	96,0	96,3	96,2	0,91	107	6,4	513	2,2	2,5	2,1	1308	77
200 ³⁾	M3JM 315MLB 2	3GJM311420-••K	2979	96,1	96,5	96,6	0,88	133	6,0	641,13	1,9	2,5	2,2	1333	77
200	M3JM 355SMA 2	3GJM351210-••K	2985	96,3	96,1	95,3	0,89	134	7,6	640	2,2	3,5	3	1809	83
250 ³⁾	M3JM 315LKB 2	3GJM311820-••K	2980	96,4	96,7	96,7	0,91	166	7,9	801,06	2,5	2,9	2,9	1642	77
250	M3JM 355SMB 2	3GJM351220-••K	2983	96,4	96,4	96,0	0,89	166	7,6	800	2,5	3,3	3,4	1906	83
315	M3JM 355SMC 2	3GJM351230-••K	2984	96,4	96,3	95,9	0,89	213	7,8	1008	2,3	3,1	3,6	1981	83
355	M3JM 355MLA 2	3GJM351410-••K	2981	96,3	96,6	96,7	0,90	238	7,5	1136	2,3	2,8	4,1	2216	83

¹⁾ Temperature rise class F

³⁾ High output design

Note! Variant code 406 is mandatory for voltage levels above 800 V.

Technical data for Ex d I Mb IE3 flameproof mining motors 1500 r/min

Technical data for 1000 V 50 Hz can be found in the table below, data for other voltages on request.

Output kW	Motor type	Product code	Speed r/min	Efficiency IEC 60034-30-1; 2014			Power factor Cos φ	Current			Torque			Moment of inertia J = 1/4 GD ² kgm ²	Weight kg	Sound pressure Level L _{PA} dB
				Full load 100%	3/4 load 75%	1/2 load 50%		I _N A	I _S I _N	T _N Nm	T _I T _N	T _b T _N				
1500 r/min = 4 poles				1000 V 50 Hz				CENELEC								
11	M3JM 160MLA 4	3GJM162410-••K	1473	91,4	92,3	92,1	0,83	8,4	7,6	71,3	2,5	2,8	0,108	254	62	
15	M3JM 160MLB 4	3GJM162420-••K	1474	92,1	92,9	92,7	0,83	11,4	7,9	97,2	2,8	3,3	0,125	269	62	
18.5	M3JM 180MLA 4	3GJM182410-••K	1481	92,6	93,3	93,1	0,82	14,1	7,6	119	3,0	3,1	0,217	309	62	
22	M3JM 180MLB 4	3GJM182420-••K	1480	93,0	93,7	93,7	0,82	16,6	8,2	142	2,8	3,1	0,217	304	62	
30	M3JM 200MLA 4	3GJM202410-••K	1484	93,9	94,4	94,2	0,84	22,0	8,4	193	3,0	3,3	0,366	378	63	
37	M3JM 225SMA 4	3GJM222210-••K	1482	94,6	95,3	95,2	0,86	26,2	7,6	238	2,8	3,1	0,536	461	66	
45	M3JM 225SMB 4	3GJM222220-••K	1483	94,7	95,2	95,0	0,84	32,6	8,2	290	2,9	3,3	0,536	464	66	
55	M3JM 250SMA 4	3GJM252210-••K	1484	95,2	95,7	95,6	0,86	38,8	7,6	354	2,9	3,2	0,933	508	67	
75	M3JM 280SMB 4	3GJM282220-••K	1485	95,5	96,0	95,9	0,85	53,0	7,2	482	2,5	2,9	1,50	786	72	
90	M3JM 280SMC 4	3GJM282230-••K	1487	95,9	96,1	95,7	0,84	65,0	8,2	578	3,0	3,4	1,85	847	72	
110	M3JM 315SMC 4	3GJM312230-••K	1490	96,1	96,4	96,0	0,85	77,6	7,7	705	2,5	3,3	2,9	1116	68	
132	M3JM 315SMD 4	3GJM312240-••K	1489	96,0	96,4	96,1	0,86	92,7	7,4	846	2,6	3,2	3,2	1172	68	
160	M3JM 315MLB 4	3GJM312420-••K	1490	96,3	96,6	96,4	0,87	111	7,9	1026	2,9	3,3	3,9	1331	68	
200	M3JM 355SMA 4	3GJM352210-••K	1490	96,4	96,6	96,4	0,88	137	6,7	1282	2,1	2,7	5,9	1825	74	
200 ³⁾	M3JM 315LKB 4	3GJM312820-••K	1488	96,5	96,7	96,7	0,88	137	7,1	1282	2,5	2,9	5	1634	74	
250 ³⁾	M3JM 315LKC 4	3GJM312830-••K	1490	96,6	96,9	97,0	0,87	172	7,8	1602	2,4	3,2	5,5	1714	74	
250	M3JM 355SMB 4	3GJM352220-••K	1491	96,6	96,8	96,5	0,88	174	7,8	1600	2,5	3,1	6,9	1981	74	
315	M3JM 355SMC 4	3GJM352230-••K	1488	96,4	96,7	96,6	0,87	218	6,5	2020	2,3	2,7	7,2	2029	74	
355	M3JM 355MLA 4	3GJM352410-••K	1489	96,5	96,8	96,5	0,89	242	7,0	2275	2,5	2,8	8,4	2365	78	
560	M3JM 400LA 4	3GJM402510-••G	1492	96,6	96,6	96,2	0,86	386	7,2	3584	2,4	3,1	15	3232	78	
560	M3JM 400LKA 4	3GJM402810-••G	1492	96,6	96,6	96,2	0,86	386	7,2	3584	2,4	3,1	15	3232	78	
630	M3JM 400LB 4	3GJM402520-••G	1491	96,6	97,1	96,1	0,86	438	7,5	4032	2,2	3,2	1	3612	78	
630	M3JM 400LKB 4	3GJM402820-••G	1491	96,6	97,1	96,1	0,86	438	7,5	4032	2,2	3,2	1	3612	78	
710 ¹⁾	M3JM 400LC 4	3GJM402530-••G	1490	96,6	96,6	96,4	0,87	485	7,4	4547	2,4	3,0	17	3712	78	
710 ¹⁾	M3JM 400LKC 4	3GJM402830-••G	1490	96,6	96,6	96,4	0,87	485	7,4	4547	2,4	3,0	17	3712	78	
780	M3JM 450LA 4	3GJM452510-••G	1490	96,5	96,5	96,0	0,86	534	6,8	4995	1,4	3,0	23	40920	85	
870	M3JM 450LB 4	3GJM452520-••G	1492	96,5	96,5	95,9	0,85	613	6,4	5570	1,4	3,0	25	4392	85	
950 ¹⁾	M3JM 450LC 4	3GJM452530-••G	1491	96,5	96,4	95,8	0,86	662	6,6	6079	1,4	3,3	30	4742	85	

¹⁾ Temperature rise class F

³⁾ High output design

Note! Variant code 406 is mandatory for voltage levels above 800 V.

Technical data for Ex d I Mb IE3 flameproof mining motors 1000 and 750 r/min

Technical data for 1000 V 50 Hz can be found in the table below, data for other voltages on request.

Output kW	Motor type	Product code	Speed r/min	Efficiency IEC 60034-30-1; 2014			Power factor Cosφ	Current		Torque			Moment of inertia J = 1/4 GD ² kgm ²	Weight kg	Sound pressure Level L _{PA} dB
				Full load 100%	3/4 load 75%	1/2 load 50%		I _N A	I _s /I _N	T _N Nm	T _i /T _N	T _b /T _N			
1000 r/min = 6 poles				1000 V 50 Hz				CENELEC							
7.5	M3JM 160MLA 6	3GJM163410-••K	980	89,6	90,4	89,9	0,78	6,2	7,8	73,0	1,6	3,2	0,114	251	59
11	M3JM 160MLB 6	3GJM163420-••K	979	90,3	91,0	90,3	0,74	9,5	8,3	107	2,1	3,7	0,131	264	59
15	M3JM 180MLA 6	3GJM183410-••K	981	91,4	91,8	90,8	0,77	12,3	6,5	146	1,7	2,7	0,225	304	59
18.5	M3JM 200MLA 6	3GJM203410-••K	990	92,1	92,5	92,0	0,77	15,1	7,4	179	2,5	3,1	0,448	351	63
22	M3JM 200MLB 6	3GJM203420-••K	990	92,7	93,2	92,6	0,79	17,3	7,7	212	2,6	3,2	0,531	374	63
30	M3JM 225SMA 6	3GJM223210-••K	989	93,6	94,2	94,0	0,81	22,8	7,9	290	2,8	3,1	0,813	453	63
37	M3JM 250SMA 6	3GJM253210-••K	991	93,9	94,5	94,4	0,83	27,4	7,5	357	2,6	2,8	1,49	543	63
45	M3JM 280SMB 6	3GJM283220-••K	992	94,6	95,0	94,6	0,85	32,0	6,9	433	2,5	2,8	2,20	798	65
55	M3JM 280SMC 6	3GJM283230-••K	989	94,6	95,2	94,9	0,86	40,0	6,4	530	2,4	2,5	2,85	838	65
75	M3JM 315SMC 6	3GJM313230-••K	994	94,9	95,5	94,5	0,83	55,5	7,2	720	2,3	3,0	4,9	1113	67
90	M3JM 315SMD 6	3GJM313240-••K	993	95,3	95,7	95,4	0,85	67,0	6,7	865	2,4	2,7	4,9	1147	67
110	M3JM 315MLB 6	3GJM313420-••K	994	95,5	95,8	95,6	0,84	80,4	6,7	1058	2,3	2,7	6,3	1313	68
132	M3JM 315LKA 6	3GJM313810-••K	994	95,6	95,8	95,7	0,82	98,0	7,1	1269	2,5	2,9	7,3	1515	68
160 ³⁾	M3JM 315LKC 6	3GJM313830-••K	993	95,8	96,1	96,2	0,84	117	6,5	1539	2,3	2,6	9,2	1715	68
160	M3JM 355SMB 6	3GJM353220-••K	995	95,9	96,0	95,4	0,82	118	7,0	1536	2,1	2,8	9,7	1812	73
200	M3JM 355SMC 6	3GJM353230-••K	995	96,0	96,3	96,0	0,82	146	7,3	1919	2,3	2,9	11,3	1955	73
250	M3JM 355MLB 6	3GJM353420-••K	994	96,2	96,5	96,5	0,84	181	6,7	2401	2,3	2,6	13,5	2379	73
315	M3JM 355LKA 6	3GJM353810-••K	993	96,3	96,6	96,3	0,84	231	6,8	3025	2,3	2,7	15,5	2706	76
355	M3JM 355LKB 6	3GJM353820-••K	994	96,3	96,5	96,1	0,83	262	7,1	3410	2,7	2,8	16,5	2806	76
400	M3JM 400LA 6	3GJM403510-••G	993	96,2	96,1	95,5	0,82	294	7,2	3844	2,3	2,7	17	3053	76
400	M3JM 400LKA 6	3GJM403810-••G	993	96,2	96,1	95,5	0,82	294	7,2	3844	2,3	2,7	17	3213	76
450	M3JM 400LB 6	3GJM403520-••G	994	96,5	96,5	96,0	0,82	327	7,4	4324	2,4	2,7	20,5	3463	76
450	M3JM 400LKB 6	3GJM403820-••G	994	96,5	96,5	96,0	0,82	327	7,4	4324	2,4	2,7	20,5	3463	76
500	M3JM 400LC 6	3GJM403530-••G	993	96,5	96,5	96,1	0,83	353	7,2	4807	2,4	2,6	22	3613	76
500	M3JM 400LKC 6	3GJM403830-••G	993	96,5	96,5	96,1	0,83	353	7,2	4807	2,4	2,6	22	3613	76
560	M3JM 400LD 6	3GJM403540-••G	993	96,3	96,4	96,2	0,87	388	6,4	5385	2,2	2,7	24	3713	77
560	M3JM 400LKD 6	3GJM403840-••G	993	96,3	96,4	96,2	0,87	388	6,4	5385	2,2	2,7	24	3713	77
610	M3JM 450LA 6	3GJM453510-••G	995	96,4	96,4	95,9,0	0,84	436	6,3	5857	1,4	2,9	31	4362	81
680	M3JM 450LB 6	3GJM453520-••G	995	96,5	96,5	95,9	0,85	477	7,2	6526	1,5	3,0		4542	81
760 ¹⁾	M3JM 450LC 6	3GJM453530-••G	995	96,5	96,5	95,9	0,84	542	7,4	7293	1,6	3,2	41	4842	81

Output kW	Motor type	Product code	Speed r/min	Efficiency IEC 60034-30-1; 2014			Power factor Cosφ	Current		Torque			Moment of inertia J = 1/4 GD ² kgm ²	Weight kg	Sound pressure Level L _{PA} dB
				Full load 100%	3/4 load 75%	1/2 load 50%		I _N A	I _s /I _N	T _N Nm	T _i /T _N	T _b /T _N			
750 r/min = 8 poles				1000 V 50 Hz				CENELEC							
37	M3JM 280SMA 8	3GJM284210-••G	742	91,9	92,2	91,5	0,81	30,0	7,2	477	2,0	3,2	1,85	626	65
45	M3JM 280SMB 8	3GJM284220-••G	742	92,8	93,1	92,7	0,80	37,0	7,3	580	2,0	3,3	2,2	667	65
55	M3JM 315SMA 8	3GJM314210-••G	742	92,7	93,3	92,9	0,80	42,5	7,0	708	1,8	2,9	3,2	857	62
55 ³⁾	M3JM 280SMC 8	3GJM284230-••G	741	93,2	93,5	93,5	0,80	42,6	7,8	709	2,1	3,3	2,85	746	65
75	M3JM 315SMB 8	3GJM314220-••G	741	93,5	93,5	93,4	0,81	58,7	7,2	966	2,0	3,0	4,1	957	62
90	M3JM 315SMC 8	3GJM314230-••G	742	93,8	94,0	93,6	0,81	68,9	7,7	1159	2,2	3,2	4,9	1027	64
110	M3JM 315MLA 8	3GJM314410-••G	740	93,8	93,9	94,1	0,83	84,5	7,2	1419	2,0	3,0	5,8	1177	72
132	M3JM 355SMA 8	3GJM354210-••G	745	94,8	94,8	94,3	0,76	105	7,8	1693	2,0	3,1	7,9	1556	69
132	M3JM 315LKA 8	3GJM314810-••G	741	94,0	94,2	93,9	0,82	98,5	7,8	1701	2,3	3,1	7,3	1440	74
160	M3JM 355SMB 8	3GJM354220-••G	744	95,0	95,2	94,6	0,79	123	7,4	2054	1,8	2,9	9,7	1716	69
200	M3JM 355SMC 8	3GJM354230-••G	743	95,2	95,3	95,2	0,79	149	7,5	2571	1,8	2,7	11,3	1966	69
250	M3JM 355MLB 8	3GJM354420-••G	743	95,2	95,1	94,5	0,78	193	8,0	3212	1,9	3,0	13,5	2406	72
315	M3JM 400LA 8	3GJM404510-••G	743	95,1	95,3	94,9	0,80	238	6,4	4044	1,2	2,6	17	3213	71
315	M3JM 400LKA 8	3GJM404810-••G	743	95,1	95,3	94,9	0,80	238	6,4	4044	1,2	2,6	17	3213	71
315 ¹⁾	M3JM 355LKB 8	3GJM354820-••G	742	95,3	95,5	95,0	0,80	238	7,9	4052	1,9	2,8	16,5	2636	75
355	M3JM 400LB 8	3GJM404520-••G	743	95,3	95,6	95,3	0,82	260	7,7	4558	1,2	2,5	21	3513	71
355	M3JM 400LKB 8	3GJM404820-••G	743	95,3	95,6	95,3	0,82	260	7,7	4558	1,2	2,5	21	3513	71

¹⁾ Temperature rise class F

³⁾ High output design

Note! Variant code 406 is mandatory for voltage levels above 800 V.

Output kW	Motor type	Product code	Speed r/min	Efficiency IEC 60034-30-1; 2014			Power factor Cosφ	Current			Torque			Moment of inertia J = 1/4 GD²kgm²	Weight kg	Sound pressure Level L _{PA} dB
				Full load 100%	3/4 load 75%	1/2 load 50%		I _N A	I _S I _N	T _N Nm	T _I T _N	T _b T _N				
750 r/min = 8 poles				1000 V 50 Hz				CENELEC								
400	M3JM 400LC 8	3GJM404530-••G	744	95,3	94,8	94,5	0,83	293	7,0	5136	1,3	2,4	24	3713	71	
400	M3JM 400LKC 8	3GJM404830-••G	744	95,3	94,8	94,5	0,83	293	7,0	5136	1,3	2,4	24	3713	71	
430	M3JM 450LA 8	3GJM454510-••G	744	95,1	95,4	94,9	0,83	313	6,3	5519	1,2	2,7	26	3942	80	
470	M3JM 450LB 8	3GJM454520-••G	745	95,3	95,7	95,2	0,82	343	6,8	6028	2,0	3,0	29	4202	80	
530	M3JM 450LC 8	3GJM454530-••G	744	95,3	95,3	94,5	0,80	402	7,7	6793	1,8	3,4	35	4562	80	
600 ¹⁾	M3JM 450LD 8	3GJM454540-••G	745	95,3	95,3	94,7	0,81	445	8,0	7689	2,0	3,5	41	5002	80	

¹⁾ Temperature rise class F

³⁾ High output design

Note! Variant code 406 is mandatory for voltage levels above 800 V.

Most common variant codes

Flameproof mining motor

Variant codes specify additional options and features to the standard motor. The desired features are listed as three-digit variant codes in the motor order. Note also that there are variants that cannot be used together.

The most common variant codes are listed here. For further information see Motors for explosive atmospheres catalogue.

Most of the variant codes apply to IE2 and IE3 motors. However, confirm the availability of variants for IE3 motors with your ABB sales office before making an order.

Code/Variants	Frame size														
	80	90	100	112	132	160	180	200	225	250	280	315	355	400	450
Administration															
531 Sea freight packing	●	●	●	●	●	●	●	●	●	●	●	●	●	●	●
533 Wooden sea freight packing	●	●	●	●	●	●	●	●	●	●	●	●	●	●	●
999 Case specific design requiring a quotation	●	●	●	●	●	●	●	●	●	●	●	●	●	●	●
Bearings and Lubrication															
036 Transport lock for bearings.	-	-	-	-	-	●	●	●	●	●	●	●	●	●	●
037 Roller bearing at D-end.	-	-	-	-	-	●	●	●	●	●	●	●	-	-	-
Branch standard designs															
209 Non-standard voltage or frequency, (special winding).	●	●	●	●	●	●	●	●	●	●	●	●	●	●	●
786 Special design shaft upwards (V3, V36, V6) for outdoor mounting.	●	●	●	●	●	●	●	●	●	●	-	-	-	-	-
Hazardous Environments															
813 Thermistor-based surface temperature protection T4 for frequency convertor duty.	●	●	●	●	●	●	●	●	●	●	●	●	●	●	-
816 Pt-100-based surface temperature protection T4 for frequency convertor duty. 3-wire system.	-	-	-	-	-	●	●	●	●	●	●	●	●	●	-
Heating elements															
450 Heating element, 100-120 V	●	●	●	●	●	●	●	●	●	●	●	●	●	●	●
Insulation system															
014 Winding insulation class H.	●	●	●	●	●	●	●	●	●	●	●	●	●	●	●
405 Special winding insulation for frequency converter supply.	●	●	●	●	●	●	●	●	●	●	●	●	●	●	●
406 Winding for supply > 690 <= 1000 volts	-	-	-	-	-	●	●	●	●	●	●	●	●	●	●
Mounting arrangements															
009 IM 2001 foot/flange mounted, IEC flange, from IM 1001 (B35 from B3).	●	●	●	●	●	●	●	●	●	●	●	●	●	●	●
Painting															
114 Special paint color, standard grade	●	●	●	●	●	●	●	●	●	●	●	●	●	●	●
711 Painting system C5-M very high, acc. to ISO 12944-2:1998	●	●	●	●	●	●	●	●	●	●	●	●	●	●	●
Protection															
005 Protective roof, vertical motor, shaft down.	●	-	●	●	●	●	●	●	●	●	●	●	●	●	●
Rating & instruction plates															
002 Restamping voltage, frequency and output, continuous duty.	●	-	●	●	●	●	●	●	●	●	●	●	●	●	●
126 Tag plate	●	●	●	●	●	●	●	●	●	●	●	●	●	●	●
135 Mounting of additional identification plate, stainless.	●	●	●	●	●	●	●	●	●	●	●	●	●	●	●
163 Frequency converter rating plate. Rating data according to quotation.	●	●	●	●	●	●	●	●	●	●	●	●	●	●	●
181 Rating plate with ABB standard loadability values for VSD operation. Other auxiliaries for VSD operation to be selected as necessary.	●	●	●	●	●	●	●	●	●	●	●	●	●	●	-
Shaft & rotor															
069 Two shaft extensions according to catalog drawings.	●	●	●	●	●	●	●	●	●	●	●	●	●	●	●
Stator winding temperature sensors															
441 PTC - thermistors (3 in series, 130 °C & 3 in series, 150 °C), in stator winding	●	●	●	●	●	●	●	●	●	●	●	●	●	●	●
503 Pt100 3-wire in stator winding, 2 per phase	-	-	-	-	-	●	●	●	●	●	●	●	●	●	●
Terminal box															
380 Separate terminal box for temperature detectors, std. material	-	-	-	-	-	●	●	●	●	●	●	●	●	●	●
418 Separate terminal box for auxiliaries, standard material.	-	-	-	-	-	●	●	●	●	●	●	●	●	●	●
568 Separate terminal box for heating elements, std. material	-	-	-	-	-	●	●	●	●	●	●	●	●	●	●
734 Standard cable gland, Ex d IIC, armoured cable	●	●	●	●	●	●	●	●	●	●	●	●	●	●	●

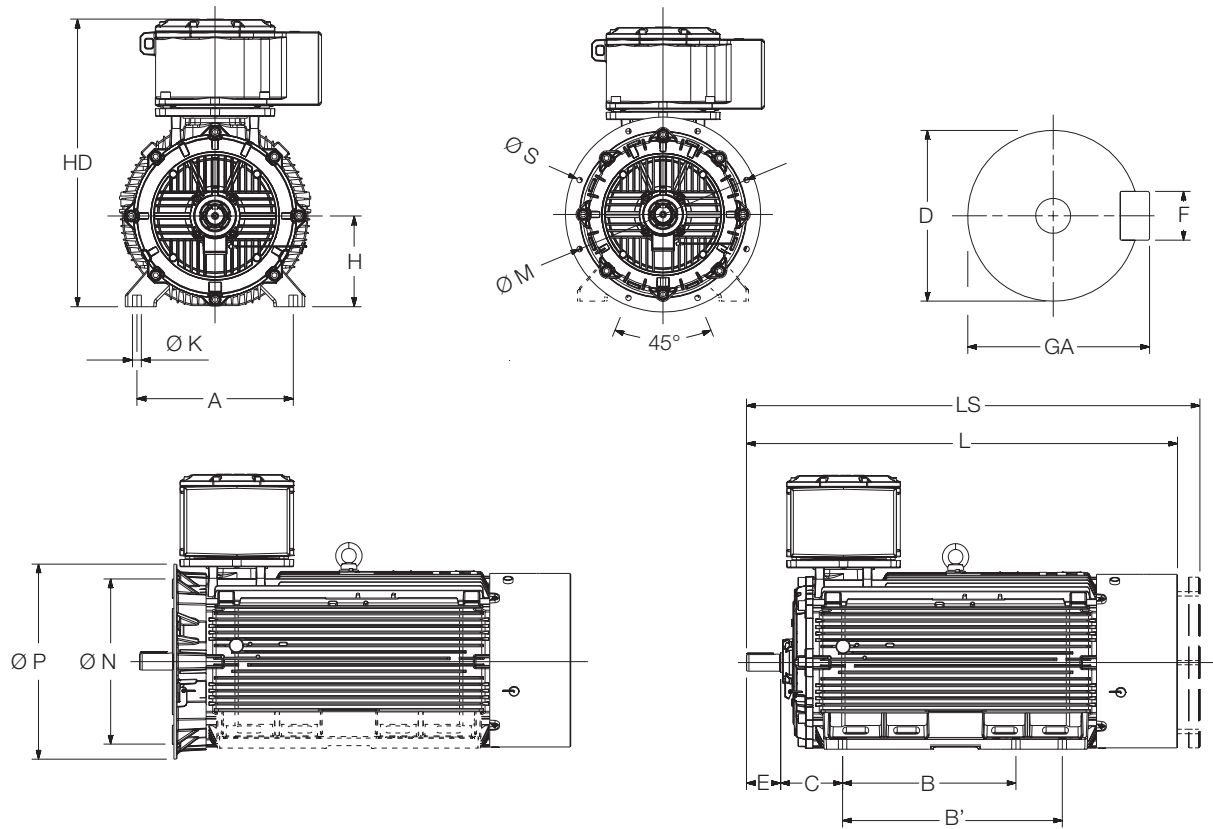
○ = Included as standard | ● = Available as option | - = Not applicable

Code/Variants	Frame size														
	80	90	100	112	132	160	180	200	225	250	280	315	355	400	450
Testing															
146	Type test with report for one motor from specific delivery batch.														
148	Routine test report.														
150	Customer witnessed testing. Specify test procedure with other codes.														
222	Torque/speed curve, type test and multi-point load test with report for one motor from specific delivery batch. Test														
Variable speed drives															
701	Insulated bearing at N-end.														

○ = Included as standard | ● = Available as option | - = Not applicable

Dimension drawing

Flameproof mining motors



The dimension drawings presented here are for frame sizes 280-450. There are minor differences in smaller frame sizes.

Mechanical dimensions are shown in the table below.

Motor size	A		B		B'		C		D poles		E poles		F poles		GA poles		H	HD	Ø K	L poles		Ø M	Ø N	Ø P	Ø S	LS poles	
									2	4-8	2	4-8	2	4-8	2	4-8				2	4-8					2	4-8
80	125	100	125	50	19	19	40	40	6	6	21.5	21.5	80	290	10	347	347	165	130	200	12	385	385				
90	140	100	125	56	24	24	50	50	8	8	27	27	90	315	10	415	415	165	130	200	12	453	453				
100	160	140	-	63	28	28	60	60	8	8	31	31	100	335	12	480	480	215	180	250	14.5	518	518				
112	190	140	-	70	28	28	60	60	8	8	31	31	112	350	12	480	480	215	180	250	14.5	518	518				
132	216	140	178	89	38	38	80	80	10	10	41	41	132	390	12	556	556	265	230	300	14.5	612	612				
160	254	210	254	108	42	42	110	110	12	12	45	45	160	495	14.5	808	808	300	250	350	18.5	864	864				
180	279	241	279	121	48	48	110	110	14	14	51.5	51.5	180	535	14.5	826	826	300	250	350	18.5	882	882				
200	318	267	305	133	55	55	110	110	16	16	59	59	200	616	18.5	824	824	350	300	400	18.5	892	892				
225	356	286	311	149	55	60	110	140	16	18	59	64	225	663	18.5	841	871	400	350	450	18.5	909	939				
250	406	311	349	168	60	65	140	140	18	18	64	69	250	726	24	895	895	500	450	550	18.5	963	963				
280	457	368	419	190	65	75	140	140	18	20	69	79.5	280	862	24	1092	1092	500	450	550	18	1184	1184				
315 SM_	508	406	457	216	65	80	140	170	18	22	69	85	315	929	30	1178	1208	600	550	660	23	1270	1300				
315 ML_	508	457	508	216	65	90	140	170	18	25	69	95	315	929	30	1289	1319	600	550	660	23	1381	1411				
355 SM_	610	500	560	254	70	100	140	210	20	28	74.5	106	355	*	35	1411	1481	740	680	800	23	1503	1573				
355 ML_	610	560	630	254	70	100	140	210	20	28	74.5	106	355	*	35	1516	1586	740	680	800	23	1608	1678				
355 LK_	610	630	710	254	70	100	140	210	20	28	74.5	106	355	*	35	1764	1834	740	680	800	23	1856	1926				
400 L_	710	900	1000	224	80	110	170	210	22	28	85	116	400	1211	35	1852	1892	940	880	1000	28	1944	1984				
400 LK_	686	710	800	280	80	100	170	210	22	28	85	106	400	1211	35	1852	1892	740	680	800	23	1944	1984				
450	800	1000	1120	250	-	120	-	210	-	32	-	127	450	1328	42	-	2072	1080	1000	1150	28	-	2164				

Dimensions are presented in millimeters (mm).

* = HD dimension depending on the terminal box size: 1124/1032 mm.

IM 3601, IM B14 - Available flange alternatives; see also variant codes.

Flange size	Variant code	Flange dimension				Motor size 80-132				
		P	M	N	S	80	90	100	112	132
FT100	258	120	100	80	M6	S	M	NA	NA	NA
FT115	260	140	115	95	M8	M	S	NA	NA	NA
FT130	229	160	130	110	M8	M	M	S	S	NA
FT165	236	200	165	130	M10	M	M	M	M	S
FT215	246	250	215	180	M12	NA	NA	M	M	M
FT265	256	300	265	230	M12	NA	NA	NA	NA	M
FF100	257	120	100	80	Ø7	M	M	NA	NA	NA
FF115	259	140	115	95	Ø10	M	M	NA	NA	NA
FF130	228	160	130	110	Ø10	M	M	M	M	NA
FF165	235	200	165	130	Ø12	S	S	M	M	M
FF215	245	250	215	180	Ø14.5	NA	NA	S	S	M
FF265	255	300	265	230	Ø14.5	NA	NA	NA	NA	S

S = Standard flange M = Modification NA = Not applicable

Tolerances:

A, B	± 0,8
D, DA	ISO k6 < Ø 50mm ISO m6 > Ø 50mm
F, FA	ISO h9
H	-0.5
N	ISO j6
C, CA	± 0.8

Motors in brief

Flameproof mining motors, sizes 80 - 132

Motor size		80	90	100	112	132
Stator and end shields	Material	Cast iron, EN-GJL-200 or better				
	Paint color shade	Orange RAL 2011				
	Corrosion class	C5M high according ISO/EN 12944-5				
Feet		Forged steel, detachable feet				
Lifting lugs		Lifting eye		Integrated cast iron lifting lugs		
Bearings	D-end 2-pole	6205-2Z/C3	6205-2Z/C3	6206-2Z/C3	6206-2Z/C3	6208-2Z/C3
	D-end 4-8-pole	6205-2Z/C3	6205-2Z/C3	6206-2Z/C3	6206-2Z/C3	6208-2Z/C3
	N-end 2-pole	6204-2Z/C3	6205-2Z/C3	6206-2Z/C3	6206-2Z/C3	6208-2Z/C3
	N-end 4-8-pole	6204-2Z/C3	6205-2Z/C3	6206-2Z/C3	6206-2Z/C3	6208-2Z/C3
Axially locked bearings	Inner bearing cover	As standard, locked at D-end				
Bearing seals	D-end	Labyrinth seal				
	N-end	Gamma ring				
Lubrication		Permanent grease lubrication				
Measuring nipples for condition monitoring of the bearings		-				
Rating plate	Material	Stainless steel				
Terminal box	Material	Cast iron, EN-GJL-200 or better				
	Corrosion class	C5M high				
	Cover screws	Acidproof steel A4-80				
Connections	Threaded openings	1 x M25 x 1,5		1 x M32 x 1,5		
	Terminals	6 terminals for connection with cable lugs (not included)				
	Cable glands	Not included as standard, available as option				
Fan	Material	Steel				
Fan cover	Material	Steel				
	Paint color shade	Orange RAL 2011				
	Corrosion class	C5M high				
Stator winding	Material	Copper				
	Insulation	Insulation class F				
	Winding protection	3 pcs thermistors, 150°C				
Rotor winding	Material	Pressure die-cast aluminum				
Balancing method		Half-key balancing as standard				
Keyway		Closed keyway				
Drain holes		-				
Enclosure		IP 66				
Cooling method		IC 411				

Motors in brief

Flameproof mining motors, sizes 160 - 250

Motor size		160	180	200	225	250
Stator and end shields	Material	Cast iron, EN-GJL-200 or better				
	Paint color shade	Orange RAL 2011				
	Corrosion class	C5M high according ISO/EN 12944-5				
Feet		Forged steel, detachable feet		Cast iron, EN-GJL-200 or better, integrated with stator		
Lifting lugs		Detachabale eye bolts		Integrated cast iron lifting lugs		
Bearings	D-end 2-pole	6309/C3	6310/C3	6312M/C3	6313M/C3	6315M/C3
	D-end 4-8-pole	6309/C3	6310/C3	6312/C3	6316/C3	6315/C3
	N-end 2-pole	6309/C3	6210/C3	6310M/C3	6312M/C3	6313M/C3
	N-end 4-8-pole	6309/C3	6210/C3	6310/C3	6312/C3	6313/C3
Axially locked bearings	Inner bearing cover	As standard, locked at D-end				
Bearing seals	D-end	Labyrinth seal				
	N-end	Labyrinth seal				
Lubrication		Regreasable bearings				
Measuring nipples for condition monitoring of the bearings		As standard				
Rating plate	Material	Stainless steel				
Terminal box	Material	Cast iron, EN-GJL-200 or better				
	Corrosion class	C5M high				
	Cover screws	Acidproof steel A4-80				
Connections	Threaded openings	2 x M40 x 1.5		2 x M50 x 1.5		
	Terminals	6 terminals for connection with cable lugs (not included)				
	Cable glands	Not included as standard, available as option				
Fan	Material	Steel				
Fan cover	Material	Steel				
	Paint color shade	Orange RAL 2011				
	Corrosion class	C5M high				
Stator winding	Material	Copper				
	Insulation	Insulation class F				
	Winding protection	3 pcs thermistors, 150°C				
Rotor winding	Material	Pressure die-cast aluminum				
Balancing method		Half-key balancing as standard				
Keyway		Closed keyway				
Drain holes		Optional				
Enclosure		IP 66				
Cooling method		IC 411				

Motors in brief

Flameproof mining motors, sizes 280 - 450

Motor size		280	315	355	400	450
Stator and end shields	Material	Cast iron, EN-GJL-200 or better				
	Paint color shade	Orange RAL 2011				
	Corrosion class	C5M high according ISO/EN 12944-5				
Feet		Cast iron, EN-GJL-200 or better, integrated with stator				
Lifting lugs		Detachable eye bolts				
Bearings	D-end 2-pole	6316/C3	6316/C3	6316M/C3	-	-
	D-end 4-8-pole	6316/C3	6319/C3	6322/C3	6324/C3	6326M/C3
	N-end 2-pole	6316/C3	6316/C3	6316M/C3	-	-
	N-end 4-8-pole	6313/C3	6313/C3	6313/C3	6319/C3	6322M/C3
Axially locked bearings	Inner bearing cover	As standard, locked at D-end				
Bearing seals	D-end	Labyrinth seal				
	N-end	Labyrinth seal				
Lubrication		Regreasable bearings				
Measuring nipples for condition monitoring of the bearings		As standard				
Rating plate	Material	Stainless steel				
Terminal box	Material	Cast iron, EN-GJL-200 or better				
	Corrosion class	C5M high				
	Cover screws	Acidproof steel A4-80				
Connections	Threaded openings	2 x M63 x 1.5	2 x M75 x 1.5			
	Terminals	6 terminals for connection with cable lugs (not included)				
	Cable glands	Not included as standard, available as option				
Fan	Material	Steel				
Fan cover	Material	Steel				
	Paint color shade	Orange RAL 2011				
	Corrosion class	C5M high				
Stator winding	Material	Copper				
	Insulation	Insulation class F				
	Winding protection	3 pcs thermistors, 150°C				
Rotor winding	Material	Pressure die-cast aluminum				
Balancing method		Open keyway				
Keyway		Closed keyway				
Drain holes		Optional				
Enclosure		IP 66				
Cooling method		IC 411				

Cast iron mining motors

Cast iron mining motor features	28
Technical data IE2 400 V 50 Hz	29
3000 r/min motors.....	29
1500 r/min motors.....	31
1000 r/min motors.....	33
750 r/min motors.....	35
Technical data IE3 400 V 50 Hz	37
3000 r/min motors.....	37
1500 r/min motors.....	39
1000 r/min motors.....	41
Variant codes	42
Dimension drawings	44
Cast iron motors in brief	46
Motor sizes 71 - 132.....	46
Motor sizes 160 - 250.....	47
Motors sizes 280 - 450.....	48

Cast iron mining motor features

Main terminal box can be relocated to either side of the motor using optional adapter on shaft height 225 and above.

Labyrinth seals on both ends from shaft height 160 and up.

Winding temperature detectors (PTC)

Class F insulation with class B temperature rise

Steel gland plate + metal closing plugs

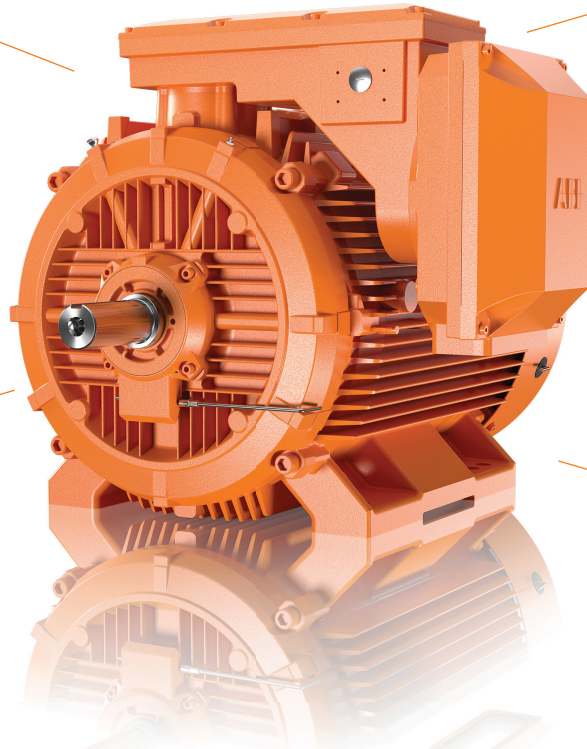
Metal fan

Components cast from EN-GJL-200 and EN-GJL-250 grade material for extra strength.

Closable grease ejection port with handle located safely on side of motor.

Standard surface treatment.
Color RAL 2011 (orange).

IP 66 protection class



Cast iron mining motors are suitable for use in underground mines and open pit quarries. Typical applications include conveyors, pumps, fans, winches, crushers, mills and floatation tank agitators.

The grease ports can be operated safely from the side of the motor without the need to reach close to the spinning shaft.

The cooling ribs on the end shields help to reduce bearing temperatures. Smooth, ribless end shields are available for vertical applications where it is necessary to prevent water from accumulating on top of the motor.

Cast iron mining motors

Output	0.55 - 1000 kW
Frame sizes	IEC 71 - 450
Poles	2 - 8
Efficiency classes	IE2, IE3, IE4
Voltages	230 – 1300 V (DOL) Up to 550 V (VSD)*

* Reinforced insulation for higher VSD voltages optionally available.

A robust steel fan is fitted to avoid wear caused by abrasive contaminants in the cooling air. The IP66 enclosure is dust tight and protects against powerful jets of water. All but the smallest motors in the range have labyrinth type bearing seals at both ends. These proven and safe seals protect against dust and water, as well as corrosion, and do not cause friction or require maintenance.

A steel gland plate and metal cable entry closing plugs complete the all steel and cast iron design. Components are cast from high tensile strength EN-GJL-200 and -250 material.

Technical data

IE2 cast iron mining motors 3000 r/min

Technical data for 400 V 50 Hz motors can be found in the table below, data for other voltages on request

Output kW	Motor type	Product code	Speed r/min	Efficiency IEC 60034-30-1; 2014			Power factor Cosφ	Current		Torque			Moment of inertia J = 1/4 GD ² kgm ²	Weight kg	Sound pressure Level L _{PA} dB
				Full load 100%	3/4 load 75%	1/2 load 50%		I _N A	I _S /I _N	T _N Nm	T _r /T _N	T _b /T _N			
3000 r/min = 2 poles				400 V 50 Hz				CENELEC-design							
0.37	M3BP 71MA 2	3GBP071321-••B	2768	74,8	75,4	72,4	0,78	0,9	4,5	1,3	2,2	2,3	0,00039	11	58
0.55	M3BP 71MB 2	3GBP071322-••B	2813	77,8	78,3	76,0	0,79	1,3	4,3	1,9	2,4	2,5	0,00051	11	56
0.75	M3BP 80MB 2	3GBP081322-••B	2895	80,6	79,6	75,6	0,74	1,8	7,7	2,4	4,2	4,2	0,001	16	57
1.1	M3BP 80MC 2	3GBP081323-••B	2870	81,8	81,7	78,9	0,8	2,4	7,5	3,6	3,7	4,6	0,0012	18	60
1.5	M3BP 90SLB 2	3GBP091322-••B	2900	82,2	82,9	81,3	0,87	3,3	7,5	4,9	2,5	2,6	0,00254	24	69
2.2	M3BP 90SLC 2	3GBP091323-••B	2885	84,7	86,8	85,7	0,88	4,2	6,8	7,2	1,9	2,5	0,0028	25	64
3	M3BP 100LB 2	3GBP101322-••B	2925	85,2	84,9	82,7	0,87	5,8	9,1	9,7	3,1	3,5	0,00528	36	68
4	M3BP 112MB 2	3GBP111322-••B	2895	86,1	87,0	86,6	0,89	7,5	8,1	13,1	2,9	3,2	0,00575	37	70
5.5	M3BP 132SMB 2	3GBP131322-••B	2865	87,7	88,4	87,7	0,86	10	7,0	18,3	2,0	2,7	0,0128	68	70
7.5	M3BP 132SMC 2	3GBP131324-••B	2890	88,2	88,5	87,5	0,88	13,7	7,3	24,9	2,0	3,6	0,0136	70	70
11	M3BP 160MLA 2	3GBP161410-••G	2938	90,6	91,5	91,1	0,90	19,2	7,5	35,7	2,4	3,1	0,044	127	69
15	M3BP 160MLB 2	3GBP161420-••G	2934	91,5	92,4	92,2	0,90	26,2	7,5	49	2,5	3,3	0,053	141	69
18.5	M3BP 160MLC 2	3GBP161430-••G	2932	92,0	93,1	93,1	0,92	31,5	7,5	60	2,9	3,4	0,063	170	69
22	M3BP 180MLA 2	3GBP181410-••G	2952	92,2	92,7	92,2	0,87	39,6	7,1	71,1	2,8	3,3	0,076	190	69
30	M3BP 200MLA 2	3GBP201410-••G	2956	93,1	93,5	92,8	0,90	51,9	7,7	97	2,7	3,1	0,178	283	72
37	M3BP 200MLB 2	3GBP201420-••G	2959	93,4	93,7	92,9	0,90	63,5	8,2	119	3,0	3,3	0,2	298	72
45	M3BP 225SMA2	3GBP221210-••G	2961	93,6	93,9	93,1	0,88	78,8	6,7	145	2,5	2,5	0,24	347	74
55	M3BP 250SMA 2	3GBP251210-••G	2967	94,1	94,4	93,8	0,88	95,8	6,8	177	2,2	2,7	0,51	405	75
75	M3BP 280SMA 2	3GBP281210-••G	2978	94,3	94,1	92,8	0,88	130	7,6	240	2,1	3,0	0,8	625	77
90	M3BP 280SMB 2	3GBP281220-••G	2976	94,6	94,7	93,8	0,89	154	7,4	288	2,1	2,9	0,9	665	77
110	M3BP 315SMA 2	3GBP311210-••G	2982	94,9	94,4	92,9	0,86	197	7,4	352	2,2	3,2	1,2	940	78
132	M3BP 315SMB 2	3GBP311220-••G	2982	95,1	94,8	93,6	0,88	227	7,4	422	2,2	3,0	1,4	940	78
160	M3BP 315SMC 2	3GBP311230-••G	2981	95,4	95,2	94,2	0,89	271	7,5	512	2,3	3,0	1,7	1025	78
200	M2BP 315MLA 2	3GBP311410-••G	2980	95,7	95,7	94,9	0,90	335	7,7	640	2,6	3,0	2,1	1190	78
250	M3BP 355SMA 2	3GBP351210-••G	2984	95,7	95,5	94,5	0,89	423	7,7	800	2,1	3,3	3	1600	83
315	M3BP 355SMB 2	3GBP351220-••G	2980	95,7	95,6	95,0	0,89	531	7,0	1009	2,1	3,0	3,4	1680	83
355	M3BP 355SMC 2	3GBP351230-••G	2984	95,7	95,7	94,9	0,88	603	7,2	1136	2,2	3,0	3,6	1750	83
400	M3BP 355MLA 2	3GBP351410-••G	2982	96,9	96,6	95,9	0,88	677	7,1	1280	2,3	2,9	4,1	2000	83
450	M3BP 355MLB 2	3GBP351420-••G	2983	97,1	97	96,4	0,90	743	7,9	1440	2,2	2,9	4,3	2080	83
500	M3BP 355LKA 2	3GBP351810-••G	2982	96,9	96,9	96,5	0,90	827	7,5	1601	2,0	3,9	4,8	2320	83
560	M3BP 355LKB 2	3GBP351820-••G	2983	97,0	97,0	96,5	0,90	925	8,0	1792	2,2	4,1	5,2	2460	83
560	²⁾ M3BP 400LA 2	3GBP401510-••G	2988	97,2	97,2	96,6	0,89	934	7,8	1789	2,5	3,7	7,9	2950	82
630	²⁾ M3BP 400LB 2	3GBP401520-••G	2987	97,4	97,2	96,7	0,89	1049	7,6	2014	2,6	3,7	8,2	3050	82
710	²⁾ M3BP 400LC 2	3GBP401530-••G	2987	97,5	97,4	96,9	0,89	1178	7,2	2270	2,6	3,4	9,3	3300	82
800	¹⁾²⁾ M3BP 450LA 2	3GBP451510-••G	2990	97,4	97,2	96,6	0,87	1362	7,8	2555	1,3	3,4	12,2	4000	85
900	¹⁾²⁾ M3BP 450LB 2	3GBP451520-••G	2990	97,0	96,8	96,2	0,87	1534	7,6	2874	1,5	3,1	13,5	4200	85

Mining industry design must be selected when ordering.

Option code: 625 - Design for mining applications.

Output kW	Motor type	Product code	Speed r/min	Efficiency IEC 60034-30-1; 2014			Power factor Cosφ	Current		Torque			Moment of inertia J = 1/4 GD ² kgm ²	Weight kg	Sound pressure Level L _{PA} dB
				Full load 100%	3/4 load 75%	1/2 load 50%		I _N A	I _S I _N	T _N Nm	T _I T _N	T _b T _N			
				3000 r/min = 2 poles											
				400 V 50 Hz			High-output design								
22	M3BP 160MLD 2	3GBP161440-••G	2933	91,7	92,8	92,8	0,90	38	8,1	71,6	3,2	3,6	0,063	170	69
27	M3BP 160MLE 2	3GBP161450-••G	2939	92,2	93,1	93,0	0,90	46,4	8,8	87,7	3,4	3,8	0,072	184	69
30	M3BP 180MLB 2	3GBP181420-••G	2950	92,7	93,5	93,3	0,88	53	7,9	97,1	2,8	3,3	0,092	208	69
45	¹⁾ M3BP 200MLC 2	3GBP201430-••G	2957	93,3	93,8	93,2	0,88	79,1	8,1	145	3,1	3,3	0,196	298	72
55	¹⁾ M3BP 200MLD 2	3GBP201440-••G	2953	93,8	94,4	94,3	0,89	95	7,8	177	2,9	3,3	0,217	314	72
55	M3BP 225SMB 2	3GBP221220-••G	2961	93,9	94,3	93,6	0,88	96	6,5	177	2,4	2,5	0,274	369	74
75	¹⁾ M3BP 225SMC 2	3GBP221230-••G	2969	94,4	94,6	94,0	0,84	136	7,4	241	3,2	3,1	0,309	396	74
75	M3BP 250SMB 2	3GBP251220-••G	2970	94,5	94,8	94,4	0,89	128	7,6	241	2,8	3,1	0,583	451	75
80	¹⁾ M3BP 225SMD 2	3GBP221240-••G	2964	94,4	94,8	94,3	0,87	140	7,3	257	3	2,8	0,329	410	74
90	¹⁾ M3BP 250SMC 2	3GBP251230-••G	2971	94,9	95,2	94,8	0,89	153	7,6	289	2,5	3,1	0,644	487	75
110	M3BP 280SMC 2	3GBP281230-••G	2978	95,1	95,1	94,5	0,90	186	7,9	352	2,4	3,0	1,15	725	77
132	M3BP 280MLA 2	3GBP281410-••G	2977	95,3	95,3	94,8	0,90	221	7,5	423	2,5	3,0	1,4	840	81
160	M3BP 280MLB 2	3GBP281420-••G	2976	95,5	95,7	95,3	0,91	265	7,6	513	2,8	3,0	1,55	890	81
250	M3BP 315LKA 2	3GBP311810-••G	2980	95,7	95,7	95,2	0,89	423	8,1	801	2,8	2,9	2,65	1440	78
315	M3BP 315LKC 2	3GBP311830-••G	2981	95,7	95,7	95,4	0,89	533	8,8	1009	3,2	3,2	3,3	1630	78

¹⁾ Temperature rise class F

²⁾ Unidirectional fan, variant code 044 or 045 is mandatory

Mining industry design must be selected when ordering.
Option code: 625 - Design for mining applications.

Technical data

IE2 cast iron mining motors 1500 r/min

Technical data for 400 V 50 Hz motors can be found in the table below, data for other voltages on request

Output kW	Motor type	Product code	Speed r/min	Efficiency IEC 60034-30-1; 2014			Power factor Cosφ	Current		Torque			Moment of inertia J = 1/4 GD ² kgm ²	Weight kg	Sound pressure Level L _{PA} dB
				Full load 100%	3/4 load 75%	1/2 load 50%		I _N A	I _S /I _N	T _N Nm	T _r /T _N	T _b /T _N			
1500 r/min = 4 poles				400 V 50 Hz				CENELEC-design							
0.25	M3BP 71MA 4	3GBP072321-••B	1365	68,3	70,7	69,6	0,81	0,6	3,5	1,7	1,9	2,0	0,00074	10	45
0.37	M3BP 71MB 4	3GBP072322-••B	1380	72,4	74,5	74,7	0,83	0,9	4,6	2,5	1,6	2,1	0,00088	11	45
0.55	M3BP 80MA 4	3GBP082321-••B	1415	74,5	73,8	70,0	0,73	1,4	5	3,7	2,0	2,8	0,00144	15	45
0.75	M3BP 80MD 4	3GBP082324-••B	1430	81,0	81,0	78,2	0,73	1,8	5,3	5	2,7	3,2	0,00205	17	50
1.1	M3BP 90SLB 4	3GBP092322-••B	1435	83,6	84,1	82,4	0,80	2,4	6,5	7,3	2,4	3,4	0,0044	25	50
1.5	M3BP 90SLD 4	3GBP092325-••B	1430	84,3	85,1	83,9	0,83	3	6,3	10	2,7	3,4	0,0053	27	56
2.2	M3BP 100LC 4	3GBP102323-••B	1450	85,9	85,1	83,4	0,78	4,6	7,7	14,5	2,7	4,1	0,00948	36	56
3	M3BP 100LD 4	3GBP102324-••B	1450	86,8	86,9	85,3	0,79	6,1	7,7	19,8	2,9	3,4	0,011	38	58
4	M3BP 112MB 4	3GBP112322-••B	1440	86,8	87,7	87,3	0,82	7,9	7,0	26,5	2,5	2,9	0,0125	44	59
5.5	M3BP 132SMB 4	3GBP132322-••B	1460	89,0	89,8	88,9	0,80	10,8	6,7	36	2,2	3,2	0,0328	70	67
7.5	M3BP 132SMC 4	3GBP132323-••B	1450	89,3	90,1	90,0	0,81	14,5	7,2	49,4	2,5	3,5	0,0366	73	64
11	M3BP 160MLA 4	3GBP162410-••G	1466	90,4	91,6	91,3	0,84	20,9	6,8	71,6	2,2	2,8	0,081	135	62
15	M3BP 160MLB 4	3GBP162420-••G	1470	91,4	92,3	92,2	0,83	28,5	7,1	97,4	2,6	3,0	0,099	165	62
18.5	M3BP 180MLA 4	3GBP182410-••G	1477	91,9	92,8	92,6	0,84	34,5	7,2	119	2,6	2,9	0,166	205	62
22	M3BP 180MLB 4	3GBP182420-••G	1475	92,3	93,3	93,2	0,84	40,9	7,3	142	2,6	3,0	0,195	222	62
30	M3BP 200MLA 4	3GBP202410-••G	1480	93,2	94	93,7	0,84	55,3	7,4	193	2,8	3,0	0,309	291	63
37	M3BP 225SMA 4	3GBP222210-••G	1479	93,4	93,9	93,4	0,84	68	7,1	238	2,6	2,9	0,356	324	66
45	M3BP 225SMB 4	3GBP222220-••G	1480	93,9	94,3	93,9	0,85	81,3	7,5	290	2,8	3,2	0,44	356	66
55	M3BP 250SMA 4	3GBP252210-••G	1480	94,4	94,9	94,6	0,85	98,9	7,0	354	2,6	2,9	0,765	414	67
75	M3BP 280SMA 4	3GBP282210-••G	1484	94,5	94,7	94,4	0,85	134	6,9	482	2,5	2,8	1,25	625	68
90	M3BP 280SMB 4	3GBP282220-••G	1483	94,7	95,0	94,5	0,85	160	7,2	579	2,5	2,7	1,5	665	68
110	M3BP 315SMA 4	3GBP312210-••G	1487	95,1	95,1	94,3	0,86	194	7,2	706	2,3	2,8	2,3	900	70
132	M3BP 315SMB 4	3GBP312220-••G	1487	95,4	95,4	94,7	0,86	232	7,1	847	2,3	2,7	2,6	960	70
160	M3BP 315SMC 4	3GBP312230-••G	1487	95,3	95,3	94,8	0,85	284	7,2	1027	2,4	2,9	2,9	1000	70
200	M3BP 315MLA 4	3GBP312410-••G	1486	95,6	95,6	95,3	0,86	351	7,2	1285	2,5	2,9	3,5	1160	70
250	M3BP 355SMA 4	3GBP352210-••G	1488	95,9	96,0	95,5	0,85	442	7,1	1604	2,3	2,7	5,9	1610	74
315	M3BP 355SMB 4	3GBP352220-••G	1488	95,9	96,2	95,8	0,86	550	7,3	2021	2,3	2,8	6,9	1780	74
355	M3BP 355SMC 4	3GBP352230-••G	1487	95,9	96,2	95,9	0,87	614	6,8	2279	2,4	2,7	7,2	1820	78
400	M3BP 355MLA 4	3GBP352410-••G	1489	96,3	96,3	95,9	0,85	705	6,8	2565	2,3	2,6	8,4	2140	78
450	M3BP 355MLB 4	3GBP352420-••G	1490	96,7	96,7	96,1	0,86	780	6,9	2884	2,3	2,9	8,4	2140	78
500	M3BP 355LKA 4	3GBP352810-••G	1490	97	97	96,5	0,86	865	6,8	3204	2,0	3,0	10	2500	78
560	¹⁾ M3BP 355LKB 4	3GBP352820-••G	1490	96,9	96,9	96,5	0,85	981	7,2	3588	2,6	2,7	10,6	2600	78
560	¹⁾ M3BP 400LA 4	3GBP402510-••G	1491	96,8	96,8	96,3	0,85	982	7,4	3586	2,4	2,8	15	3200	78
630	M3BP 400LB 4	3GBP402520-••G	1491	97,0	97,0	96,5	0,87	1077	7,6	4034	2,2	2,9	16	3300	78
710	¹⁾ M3BP 400LC 4	3GBP402530-••G	1491	97,1	97,1	96,7	0,86	1227	7,6	4547	2,4	3,0	17	3400	78
800	M3BP 450LA 4	3GBP452510-••G	1491	96,9	96,9	96,4	0,86	1396	7,0	5121	1,3	2,8	23	4050	85
900	M3BP 450LB 4	3GBP452520-••G	1492	97,1	97,0	96,5	0,86	1573	7,0	5761	1,3	2,8	25	4350	85
1000	¹⁾ M3BP 450LC 4	3GBP452530-••G	1491	97,2	97,2	96,7	0,86	1724	6,8	6404	1,3	2,7	30	4700	85

Mining industry design must be selected when ordering.
Option code: 625 - Design for mining applications.

Output kW	Motor type	Product code	Speed r/min	Efficiency IEC 60034-30-1; 2014			Power factor Cosφ	Current		Torque			Moment of inertia J = 1/4 GD ² kgm ²	Weight kg	Sound pressure Level L _{PA} dB
				Full load 100%	3/4 load 75%	1/2 load 50%		I _N A	I _S I _N	T _N Nm	T _I T _N	T _b T _N			
1500 r/min = 4 poles				400 V 50 Hz				High-output design							
18.5	M3BP 160MLC 4	3GBP162430-••G	1469	91,4	92,4	92,2	0,84	34,7	7,6	120	3,0	3,2	0,11	173	62
22 ¹⁾	M3BP 160MLD 4	3GBP162440-••G	1463	91,6	93,0	93,2	0,85	40,7	6,9	143	2,5	2,9	0,125	187	62
30 ¹⁾	M3BP 180MLC 4	3GBP182430-••G	1474	92,3	93,5	93,5	0,83	56,5	7,3	194	2,7	2,9	0,217	235	62
37	M3BP 200MLB 4	3GBP202420-••G	1479	93,4	94,4	94,4	0,85	67,2	7,1	238	2,6	2,9	0,343	307	63
45 ¹⁾	M3BP 200MLC 4	3GBP202430-••G	1479	93,6	94,4	94,2	0,83	83,6	7,5	290	2,9	3,2	0,366	319	63
55	M3BP 225SMC 4	3GBP222230-••G	1478	94	94,6	94,4	0,85	99,3	7,4	355	2,9	3,1	0,474	370	66
64	M3BP 225SMD 4	3GBP222240-••G	1480	94,2	94,6	94,1	0,85	115	8,2	412	3,3	3,3	0,542	399	66
75 ¹⁾	M3BP 250SMB 4	3GBP252220-••G	1478	94,4	95,1	94,8	0,85	134	7,3	484	2,8	3,1	0,866	450	67
90 ¹⁾	M3BP 250SMC 4	3GBP252230-••G	1478	94,6	95,3	95,0	0,84	163	7,4	581	3,1	3,3	0,941	478	67
110	M3BP 280SMC 4	3GBP282230-••G	1485	95,1	95,4	95,1	0,86	193	7,6	707	3,0	3,0	1,85	725	68
132	M3BP 280MLA 4	3GBP282410-••G	1483	95,3	95,5	95,1	0,86	232	7,0	849	2,7	2,8	2,3	840	75
160	M3BP 280MLB 4	3GBP282420-••G	1484	95,6	95,9	95,7	0,85	284	7,4	1029	2,9	2,9	2,5	890	75
250	M3BP 315LKA 4	3GBP312810-••G	1487	95,7	95,8	95,2	0,85	443	7,4	1605	2,5	2,9	4,4	1410	78
280	M3BP 315LKB 4	3GBP312820-••G	1487	95,8	95,9	95,4	0,87	491	7,6	1798	2,6	3,0	5	1520	78
315	M3BP 315LKC 4	3GBP312830-••G	1488	95,8	95,9	95,3	0,86	559	7,8	2021	2,6	3,2	5,5	1600	78

¹⁾ Temperature rise class F

Mining industry design must be selected when ordering.
Option code: 625 - Design for mining applications.

Technical data

IE2 cast iron mining motors 1000 r/min

Technical data for 400 V 50 Hz motors can be found in the table below, data for other voltages on request

Output kW	Motor type	Product code	Speed r/min	Efficiency IEC 60034-30-1; 2014			Power factor Cosφ	Current		Torque			Moment of inertia J = 1/4 GD ² kgm ²	Weight kg	Sound pressure Level L _{PA} dB
				Full load 100%	3/4 load 75%	1/2 load 50%		I _N A	I _S /I _N	T _N Nm	T _r /T _N	T _b /T _N			
1000 r/min = 6 poles				400 V 50 Hz				CENELEC-design							
0.18	M3BP 71MA 6	3GBP073321-••B	900	63,7	63,8	59,0	0,71	0,6	3,1	1,9	2,0	2,1	0,00089	10	42
0.25	M3BP 71MB 6	3GBP073322-••B	915	67,2	65,5	59,5	0,69	0,8	3,7	2,6	2,6	2,7	0,0011	12	42
0.37	M3BP 80MA 6	3GBP083321-••B	925	71,0	70,0	65,0	0,69	1,1	4,1	3,8	2,4	2,5	0,00187	15	47
0.55	M3BP 80MB 6	3GBP083322-••B	920	73,9	75,0	72,8	0,71	1,5	3,8	5,7	1,8	2,2	0,00239	17	47
0.75	M3BP 90SLC 6	3GBP093323-••B	960	78,7	77,2	72,5	0,58	2,3	4,5	7,4	2,4	3,1	0,00491	25	44
1.1	M3BP 90SLE 6	3GBP093324-••B	930	78,2	78,7	76,5	0,66	3	4	11,2	1,9	2,3	0,0054	28	44
1.5	M3BP 100L 6	3GBP103322-••B	950	82,2	83,0	81,6	0,69	3,7	4,3	15	1,5	2,7	0,00873	37	49
2.2	M3BP 112MB 6	3GBP113322-••B	950	82,5	83,7	81,6	0,69	5,5	4,4	22,1	1,7	2,3	0,0125	44	66
3	M3BP 132SMB 6	3GBP133321-••B	975	85,3	84,2	81,2	0,63	8	5,5	29,4	1,8	2,9	0,0334	69	57
4	M3BP 132SMC 6	3GBP133322-••B	960	84,9	85,3	83,9	0,68	10	4,6	39,7	1,5	2,2	0,0334	69	57
5.5	M3BP 132SMF 6	3GBP133324-••B	965	86,1	86,5	85,4	0,71	12,9	5,1	54,4	2,0	2,3	0,0487	86	57
7.5	M3BP 160MLA 6	3GBP163410-••G	975	88,5	89,9	89,7	0,79	15,4	7,4	73,4	1,7	3,2	0,087	134	59
11	M3BP 160MLB 6	3GBP163420-••G	972	89,3	90,6	90,5	0,79	22,5	7,5	108	1,9	2,9	0,114	172	59
15	M3BP 180MLA 6	3GBP183410-••G	977	90,2	91,2	90,7	0,76	31,5	5,8	146	1,8	2,7	0,168	207	59
18.5	M3BP 200MLA 6	3GBP203410-••G	988	91,6	92,2	91,7	0,80	36,4	6,7	178	2,3	2,9	0,382	269	63
22	M3BP 200MLB 6	3GBP203420-••G	987	92,0	92,9	92,7	0,82	42	6,6	212	2,2	2,8	0,448	291	63
30	M3BP 225SMA 6	3GBP223210-••G	986	92,6	93,3	92,8	0,83	56,2	7,0	290	2,6	2,9	0,663	349	63
37	M3BP 250SMA 6	3GBP253210-••G	989	93,1	93,8	93,4	0,82	69,9	6,8	357	2,4	2,7	1,13	395	63
45	M3BP 280SMA 6	3GBP283210-••G	990	93,4	93,8	93,5	0,83	83,8	7,0	434	2,5	2,5	1,85	605	66
55	M3BP 280SMB 6	3GBP283220-••G	990	93,8	94,2	93,9	0,84	100	7,0	530	2,7	2,6	2,2	645	66
75	M3BP 315SMA 6	3GBP313210-••G	992	94,4	94,4	93,5	0,82	139	7,4	721	2,4	2,8	3,2	830	70
90	M3BP 315SMB 6	3GBP313220-••G	992	94,8	94,7	94,1	0,84	166	7,5	866	2,4	2,8	4,1	930	70
110	M3BP 315SMC 6	3GBP313230-••G	991	95,0	95,0	94,6	0,83	201	7,4	1059	2,5	2,9	4,9	1000	70
132	M3BP 315MLA 6	3GBP313410-••G	991	95,3	95,4	94,9	0,83	240	7,5	1271	2,7	3,0	5,8	1150	68
160	M3BP 355SMA 6	3GBP353810-••G	992	94,9	95,2	95,0	0,83	293	6,3	1540	2,3	2,2	7,9	1520	75
200	M3BP 355SMB 6	3GBP353220-••G	993	95,7	95,9	95,7	0,83	364	7,2	1923	2,2	2,7	9,7	1680	75
250	M3BP 355SMC 6	3GBP353230-••G	993	95,7	95,8	95,4	0,82	460	7,4	2404	2,6	2,9	11,3	1820	75
315	M3BP 355MLB 6	3GBP353420-••G	992	95,7	96,0	95,5	0,83	570	7,0	3032	2,5	2,7	13,5	2180	75
355	M3BP 355LKA 6	3GBP353810-••G	992	95,7	95,9	95,4	0,81	658	7,6	3417	2,7	2,9	15,5	2500	75
400	M3BP 355LKB 6	3GBP353820-••G	992	96,0	96,0	95,5	0,83	724	7,2	3850	2,6	2,6	16,5	2600	75
400	M3BP 400LA 6	3GBP403510-••G	993	96,2	96,2	95,6	0,82	731	7,1	3846	2,3	2,7	17	2900	76
450	M3BP 400LB 6	3GBP403520-••G	994	96,6	96,6	96,1	0,82	819	7,4	4323	2,4	2,8	20,5	3150	76
500	M3BP 400LC 6	3GBP403530-••G	993	96,6	96,5	96,1	0,83	891	7,2	4809	2,5	2,7	22	3300	76
560	M3BP 400LD 6	3GBP403540-••G	993	96,9	96,9	96,4	0,85	984	7,4	5386	2,4	2,8	24	3400	77
630	M3BP 450LA 6	3GBP453510-••G	994	96,7	96,7	96,3	0,84	1127	6,5	6053	1,1	2,5	31	4150	81
710	M3BP 450LB 6	3GBP453520-••G	995	96,9	97,0	96,5	0,85	1244	7,0	6814	1,3	2,5	37	4500	81
800	¹⁾ M3BP 450LC 6	3GBP453530-••G	995	96,9	96,9	96,4	0,84	1415	7,2	7677	1,3	2,7	41	4800	81

Mining industry design must be selected when ordering.
Option code: 625 - Design for mining applications.

Output kW	Motor type	Product code	Speed r/min	Efficiency IEC 60034-30-1; 2014			Power factor Cosφ	Current		Torque			Moment of inertia J = 1/4 GD ² kgm ²	Weight kg	Sound pressure Level L _{PA} dB
				Full load 100%	3/4 load 75%	1/2 load 50%		I _N A	I _S I _N	T _N Nm	T _I T _N	T _b T _N			
				400 V 50 Hz							High-output design				
15	M3BP 160MLC 6	3GBP163430-••G	971	89,7	91,2	91,2	0,77	31,3	7,3	147	1,8	3,6	0,131	185	59
18.5	M3BP 180MLB 6	3GBP183420-••G	975	90,7	92,0	92,0	0,79	37,2	5,8	181	1,7	2,7	0,198	221	59
30 ¹⁾	M3BP 200MLC 6	3GBP203430-••G	985	92,0	93,1	92,8	0,83	56,7	6,9	290	2,3	2,8	0,531	318	63
37	M3BP 225SMB 6	3GBP223220-••G	985	93,1	94,0	94,0	0,83	69,1	6,6	358	2,3	2,6	0,821	393	63
45	M3BP 250SMB 6	3GBP253220-••G	989	93,4	94,1	93,9	0,83	83,7	7	434	2,5	2,7	1,37	441	63
45 ¹⁾	M3BP 225SMC 6	3GBP223230-••G	984	92,7	93,9	94,0	0,83	84,4	6,4	436	2,3	2,6	0,821	393	63
55 ¹⁾	M3BP 250SMC 6	3GBP253230-••G	988	93,2	94,1	94,0	0,84	101	7,1	531	2,6	2,8	1,5	468	63
75	M3BP 280SMC 6	3GBP283230-••G	990	94,2	94,7	94,5	0,84	137	7,3	723	2,8	2,7	2,85	725	66
90	M3BP 280MLA 6	3GBP283410-••G	990	94,1	94,3	93,7	0,81	170	7,1	868	2,4	2,5	3,1	840	70
110	M3BP 280MLB 6	3GBP283420-••G	990	94,5	94,8	94,4	0,82	205	7,5	1061	2,7	2,6	4,1	890	70
160	M3BP 315LKA 6	3GBP313810-••G	992	95,3	95,3	94,7	0,83	291	7,5	1540	2,6	2,8	7,3	1410	74
180	M3BP 315LKB 6	3GBP313820-••G	992	95,3	95,4	94,8	0,83	328	7,4	1732	2,6	2,8	8,3	1520	74
200	M3BP 315LKC 6	3GBP313830-••G	989	95,4	95,6	95,3	0,85	360	6,8	1931	2,5	2,6	9,2	1600	74

¹⁾ Temperature rise class F

Mining industry design must be selected when ordering.
Option code: 625 - Design for mining applications.

Technical data

IE2 cast iron mining motors 750 r/min

Technical data for 400 V 50 Hz motors can be found in the table below, data for other voltages on request

Output kW	Motor type	Product code	Speed r/min	Efficiency IEC 60034-30-1; 2014			Power factor Cosφ	Current		Torque			Moment of inertia J = 1/4 GD ² kgm ²	Weight kg	Sound pressure Level L _{PA} dB
				Full load 100%	3/4 load 75%	1/2 load 50%		I _N A	I _s /I _N	T _N Nm	T _r /T _N	T _b /T _N			
750 r/min = 8 poles			400 V 50 Hz				CENELEC-design								
0.09	M3BP 71MA 8	3GBP074101-••B	660	49,4	46,4	39,7	0,60	0,4	2,7	1,3	2	2,5	0,00089	11	40
0.12	M3BP 71MB 8	3GBP074102-••B	670	51,5	47,6	40,0	0,66	0,6	2,7	1,7	2	2,5	0,0011	12	43
0.18	M3BP 80MA 8	3GBP084101-••B	700	57,4	53,7	46,1	0,62	0,8	3,2	2,5	2,1	2,8	0,00187	15	45
0.25	M3BP 80MB 8	3GBP084102-••B	680	61,5	61,3	53,5	0,65	0,9	3,1	3,5	1,9	2,6	0,00239	17	50
0.37	M3BP 90SLB 8	3GBP094102-••B	705	66,3	64,0	57,0	0,54	1,4	2,8	5,0	1,9	2,5	0,00444	24	50
0.55	M3BP 90SLC 8	3GBP094103-••B	655	61,8	65,6	65,2	0,67	1,9	2,6	8,0	1,4	1,9	0,00491	25	53
0.75	M3BP 100LA 8	3GBP104101-••B	710	74,0	72,3	67,1	0,61	2,5	3,7	10,1	1,8	2,6	0,0072	30	46
1.1	M3BP 100LB 8	3GBP104102-••B	695	76,0	76,4	74,5	0,66	3,1	3,6	15,1	1,6	2,3	0,00871	30	53
1.5	M3BP 112M 8	3GBP114101-••B	690	74,4	75,9	74,1	0,74	4,1	3,5	20,9	1,9	2,6	0,0106	39	55
2.2	M3BP 132SMA 8	3GBP134101-••B	715	79,7	79,5	77,1	0,66	6,5	4,7	29,2	1,6	2,8	0,0334	70	56
3	M3BP 132SMB 8	3GBP134102-••B	715	79,9	79,7	76,6	0,64	8,5	4,7	39,7	1,7	2,8	0,04	75	58
4	M3BP 160MLA 8	3GBP164410-••G	728	84	85,1	83,6	0,67	10,2	5,4	52,4	1,5	2,6	0,068	120	59
5.5	M3BP 160MLB 8	3GBP164420-••G	726	84,6	85,9	84,8	0,67	13,9	5,6	72,3	1,4	2,6	0,085	134	59
7.5	M3BP 160MLC 8	3GBP164430-••G	727	86	87,3	86,5	0,65	19,3	4,7	98,5	1,5	2,8	0,132	184	59
11	M3BP 180MLA 8	3GBP184410-••G	731	86,7	88,3	87,8	0,67	27,3	4,4	143	1,8	2,6	0,214	233	59
15	¹⁾ M3BP 200MLA 8	3GBP204410-••G	737	89,5	90,8	90,3	0,74	32,4	5,3	194	2,0	2,4	0,45	290	60
18.5	M3BP 225SMA 8	3GBP224210-••G	739	90,0	91,1	90,6	0,73	40,1	5,2	239	2,0	2,3	0,669	350	63
22	M3BP 225SMB 8	3GBP224220-••G	738	90,5	91,4	91	0,74	46,8	5,5	284	2,0	2,3	0,722	363	63
30	M3BP 250SMA 8	3GBP254210-••G	742	91,2	91,8	91,1	0,71	66	5,8	386	2,6	2,4	1,4	440	63
37	M3BP 280SMA 8	3GBP284210-••G	742	92,7	92,9	92,2	0,79	72,6	7,3	476	1,7	3,0	1,85	605	65
45	M3BP 280SMB 8	3GBP284220-••G	741	93,2	93,4	92,8	0,78	89,2	7,6	579	1,8	3,1	2,2	645	65
55	M3BP 315SMA 8	3GBP314210-••G	742	93,4	93,9	93,4	0,79	106	7,1	707	1,6	2,7	3,2	830	62
75	M3BP 315SMB 8	3GBP314220-••G	741	93,7	93,8	93,7	0,82	146	7,1	966	1,7	2,7	4,1	930	62
90	M3BP 315SMC 8	3GBP314230-••G	741	94,0	94,3	94,0	0,82	170	7,4	1159	1,8	2,7	4,9	1000	64
110	M3BP 315MLA 8	3GBP314410-••G	740	94,0	94,2	94,3	0,83	211	7,3	1419	1,8	2,7	5,8	1150	72
132	M3BP 355SMA 8	3GBP354210-••G	744	94,7	94,6	94,2	0,80	256	7,5	1694	1,5	2,6	7,9	1520	69
160	M3BP 355SMB 8	3GBP354220-••G	744	95,2	95,2	94,8	0,77	293	7,6	1926	1,6	2,6	9,7	1680	69
200	M3BP 355SMC 8	3GBP354230-••G	742	95,3	95,7	95,5	0,79	385	7,4	2576	1,6	2,6	11,3	1820	69
250	M3BP 355MLB 8	3GBP354420-••G	743	95,4	95,5	95,0	0,80	472	7,5	3213	1,6	2,7	13,5	2180	72
315	¹⁾ M3BP 355LKB 8	3GBP354820-••G	742	95,5	95,7	95,2	0,80	595	7,9	4053	1,7	2,7	16,5	2600	75
315	M3BP 400LA 8	3GBP404510-••G	743	96,1	96	95,6	0,81	592	7,0	4043	1,2	2,6	17	2900	71
355	M3BP 400LB 8	3GBP404520-••G	743	96,2	96,3	96,1	0,83	641	6,8	4562	1,2	2,5	21	3200	71
400	M3BP 400LC 8	3GBP404530-••G	744	96,3	96,4	96,1	0,82	735	7,4	5134	1,3	2,7	24	3400	71
450	M3BP 450LA 8	3GBP454510-••G	744	96,2	96,5	96,2	0,83	813	6,0	5775	1,0	2,5	26	3750	80
500	M3BP 450LB 8	3GBP454520-••G	744	96,3	96,4	96,2	0,83	902	6,4	6417	1,0	2,6	29	4000	80
560	M3BP 450LC 8	3GBP454530-••G	744	96,4	96,5	96,1	0,82	1038	7,0	7188	1,2	2,9	35	4350	80
630	¹⁾ M3BP 450LD 8	3GBP454540-••G	745	96,6	96,7	96,2	0,81	1162	7,6	8075	1,3	3,2	41	4800	80

Mining industry design must be selected when ordering.
Option code: 625 - Design for mining applications.

Output kW	Motor type	Product code	Speed r/min	Efficiency IEC 60034-30-1; 2014			Power factor Cosφ	Current		Torque			Moment of inertia J = 1/4 GD ² kgm ²	Weight kg	Sound pressure Level L _{PA} dB
				Full load 100%	3/4 load 75%	1/2 load 50%		I _N A	I _S I _N	T _N Nm	T _I T _N	T _b T _N			
750 r/min = 8 poles				400 V 50 Hz				High-output design							
18.5	M3BP 200MLB 8	3GBP204420-••G	739	90,0	90,8	90,2	0,74	40	5,4	239	2,1	2,3	0,53	318	60
30	M3BP 225SMC 8	3GBP224230-••G	737	91,2	92,3	92,1	0,73	64,7	5,6	388	2,3	2,4	0,828	393	63
37	M3BP 250SMB 8	3GBP254220-••G	740	91,7	92,8	92,5	0,73	78,9	5,4	477	2,6	2,3	1,51	468	63
45 ¹⁾	M3BP 250SMC 8	3GBP254230-••G	738	92,1	93,4	93,4	0,74	95,1	5,6	582	2,3	2,4	1,51	468	63
55	M3BP 280SMC 8	3GBP284230-••G	741	93,4	93,7	93,6	0,80	107	7,9	708	1,9	3,1	2,85	725	65
75	M3BP 280MLB 8	3GBP284420-••G	739	93,7	93,9	93,3	0,80	144	6,7	969	1,7	2,6	4,1	890	72
132	M3BP 315LKA 8	3GBP314810-••G	740	94,1	94,4	94,2	0,83	243	7,3	1703	1,8	2,6	7,3	1410	74
150 ¹⁾	M3BP 315LKB 8	3GBP314820-••G	741	94,1	94,7	94,6	0,83	278	7,7	1938	1,9	2,7	8,3	1520	74
160 ¹⁾	M3BP 315LKC 8	3GBP314830-••G	739	94,2	94,7	94,7	0,83	297	7,7	2068	1,9	2,8	9,2	1600	74

¹⁾ Temperature rise class F

Mining industry design must be selected when ordering.

Option code: 625 - Design for mining applications.

Technical data

IE3 cast iron mining motors 3000 r/min

Technical data for 400 V 50 Hz motors can be found in the table below, data for other voltages on request

Output kW	Motor type	Product code	Speed r/min	Efficiency IEC 60034-30-1; 2014			Power factor Cosφ	Current		Torque			Moment of inertia J = 1/4 GD ² kgm ²	Weight kg	Sound pressure Level L _{PA} dB
				Full load 100%	3/4 load 75%	1/2 load 50%		I _N A	I _S /I _N	T _N Nm	T _r /T _N	T _b /T _N			
3000 r/min = 2 poles				400 V 50 Hz				CENELEC-design							
0.37	M3BP 71MC 2	3GBP071330-●●L	2743	73,8	74,4	71,7	0,76	0,94	4,9	1,26	2,3	2,8	0,00088	10	58
0.55	M3BP 71ME 2	3GBP071350-●●L	2755	77,8	79,3	78,4	0,83	1,25	6,8	1,9	2,8	3,1	0,00045	11	56
0.75	M3BP 80MC 2	3GBP081330-●●L	2879	80,7	81,0	78,8	0,82	1,6	7,2	2,5	3,4	4,2	0,001	17	57
1.1	M3BP 80ME 2	3GBP081350-●●L	2865	82,7	83,8	83,1	0,84	2,3	7,2	3,7	3,5	4,1	0,0012	18	60
1.5	M3BP 90SLA 2	3GBP091010-●●L	2901	84,2	84,8	83,8	0,89	2,9	7,7	4,9	2,1	3,5	0,0028	27	69
2.2	M3BP 90LA 2	3GBP091510-●●L	2904	85,9	86,3	84,8	0,89	4,2	8,8	7,2	3,1	3,8	0,0036	30	64
3	M3BP 100MLA 2	3GBP101410-●●L	2895	87,1	87,9	87,3	0,92	5,4	8,2	9,9	3,3	3,9	0,0013	42	68
4	M3BP 112ME 2	3GBP111350-●●L	2882	88,1	89,9	90,9	0,93	6,9	8,3	13	2,9	3,7	0,0139	56	70
5.5	M3BP 132SMC 2	3GBP131230-●●L	2908	89,2	89,5	88,5	0,90	9,8	7,6	18	2,3	3,8	0,0182	69	70
7.5	M3BP 132SME 2	3GBP131250-●●L	2916	90,1	90,5	90,1	0,90	13,3	8,4	24,6	2,5	4,3	0,0203	75	70
11	M3BP 160MLA 2	3GBP161410-●●L	2943	91,2	92,0	91,6	0,91	19,1	7,2	35,6	2,6	3,6	0,057	144	69
15	M3BP 160MLB 2	3GBP161420-●●L	2947	91,9	92,2	91,8	0,88	26,5	8,2	48,5	3,2	4,2	0,063	152	69
18.5	M3BP 160MLC 2	3GBP161430-●●L	2949	92,4	93,0	92,6	0,90	32	9,0	59,8	3,3	3,9	0,076	164	73
22	M3BP 180MLA 2	3GBP181410-●●L	2956	92,7	93,1	92,7	0,90	37,7	7,8	71	3,4	3,8	0,11	205	73
30	M3BP 200MLA 2	3GBP201410-●●L	2957	93,3	93,8	93,6	0,88	52,4	7,5	96,9	2,5	3,1	0,182	263	73
37	M3BP 200MLB 2	3GBP201420-●●L	2960	93,7	94,2	94,1	0,89	64,2	8,2	120	3,1	3,4	0,222	289	73
45	M3BP 225SMA 2	3GBP221210-●●L	2968	94	94,0	93,0	0,87	79,6	7,3	145	3,2	3,1	0,296	335	76
55	M3BP 250SMA 2	3GBP251210-●●L	2968	94,3	93,7	93,6	0,89	94,8	6,8	177	2,4	3,0	0,426	400	76
75	M3BP 280SMB 2	3GBP281220-●●L	2978	94,7	94,4	93,5	0,88	130	7,0	240	2,3	3,0	0,9	665	74
90	M3BP 280SMC 2	3GBP281230-●●L	2975	95,0	95,0	94,2	0,88	158	6,4	289	2,1	2,8	0,99	690	74
110	M3BP 315SMB 2	3GBP311220-●●L	2982	95,2	94,9	93,9	0,87	192	7,0	352	1,8	2,7	1,3	910	78
132	M3BP 315SMC 2	3GBP311230-●●L	2982	95,4	95,4	94,6	0,87	229	6,8	422	2,0	2,8	1,5	965	78
160	M3BP 315SMD 2	3GBP311240-●●L	2983	95,6	95,6	94,9	0,87	275	7,4	512	2,2	2,8	1,7	1025	78
200	M3BP 315MLA 2	3GBP311410-●●L	2983	95,8	95,8	95,3	0,88	342	7,7	640	2,5	3,1	2,1	1190	81
250 ²⁾	M3BP 355SMA 2	3GBP351210-●●L	2985	95,8	95,6	94,6	0,89	423	7,7	800	2,1	3,3	3,0	1600	83
315 ²⁾	M3BP 355SMB 2	3GBP351220-●●L	2980	95,8	95,7	95,0	0,89	529	7,0	1009	2,1	3,0	3,4	1680	83
355 ²⁾	M3BP 355SMC 2	3GBP351230-●●L	2984	95,8	95,8	95,0	0,88	605	7,2	1136	2,2	3,0	3,6	1750	83
400	M3BP 355MLA 2	3GBP351410-●●G	2982	96,9	96,6	95,9	0,88	677	7,1	1280	2,3	2,9	4,1	2000	83
450	M3BP 355MLB 2	3GBP351420-●●G	2983	97,1	97,0	96,4	0,90	743	7,9	1440	2,2	2,9	4,3	2080	83
500	M3BP 355LKA 2	3GBP351810-●●G	2982	96,9	96,9	96,5	0,90	827	7,5	1601	2,0	3,9	4,8	2320	83
560	M3BP 355LKB 2	3GBP351820-●●G	2983	97,0	97,0	96,5	0,90	925	8,0	1792	2,2	4,1	5,2	2460	83
560 ²⁾	M3BP 400LA 2	3GBP401510-●●G	2988	97,2	97,2	96,6	0,89	934	7,8	1789	2,5	3,7	7,9	2950	82
630 ²⁾	M3BP 400LB 2	3GBP401520-●●G	2987	97,4	97,2	96,7	0,89	1049	7,6	2014	2,6	3,7	8,2	3050	82
710 ²⁾	M3BP 400LC 2	3GBP401530-●●G	2987	97,5	97,4	96,9	0,89	1178	7,2	2270	2,6	3,4	9,3	3300	82
800 ¹⁾²⁾	M3BP 450LA 2	3GBP451510-●●G	2990	97,4	97,2	96,6	0,87	1362	7,8	2555	1,3	3,4	12,2	4000	85
900 ¹⁾²⁾	M3BP 450LB 2	3GBP451520-●●G	2990	97,0	96,8	96,2	0,87	1534	7,6	2874	1,5	3,1	13,5	4200	85

Mining industry design must be selected when ordering.

Option code: 625 - Design for mining applications.

Output kW	Motor type	Product code	Speed r/min	Efficiency IEC 60034-30-1; 2014			Power factor Cosφ	Current		Torque			Moment of inertia J = 1/4 GD ² kgm ²	Weight kg	Sound pressure Level L _{PA} dB
				Full load 100%	3/4 load 75%	1/2 load 50%		I _N A	I _S I _N	T _N Nm	T _I T _N	T _b T _N			
				400 V 50 Hz				High-output design							
22	M3BP 160MLD 2	3GBP161440-••L	2944	92,7	93,5	93,5	0,90	38	8,4	71,4	3,2	3,7	0,071	174	74
30	M3BP 180MLB 2	3GBP181420-••L	2957	93,3	94,0	93,9	0,88	52,7	8,7	96,9	3	3,8	0,104	215	74
37	M3BP 180MLC 2	3GBP181430-••L	2952	93,7	94,5	94,5	0,88	64,7	8,7	120	3,1	3,7	0,115	229	74
45	M3BP 200MLC 2	3GBP201430-••L	2955	94,0	94,5	94,4	0,89	77,6	8,0	145	2,9	3,3	0,214	305	77
55	M3BP 225SMB 2	3GBP221220-••L	2966	94,3	94,6	94,1	0,88	95,6	7,4	177	2,9	2,9	0,274	355	79
75	M3BP 225SMC 2	3GBP221230-••L	2966	94,7	94,8	94,1	0,88	129	8,1	241	3,3	3,0	0,329	408	79
75	M3BP 250SMB 2	3GBP251220-••L	2971	94,7	95,1	94,8	0,90	127	7,9	241	2,8	3,3	0,644	479	81
90 ¹⁾	M3BP 250SMC 2	3GBP251230-••L	2968	95,0	95,4	95,0	0,90	151	8,4	290	2,7	3,4	0,644	495	81
110	M3BP 280SMD 2	3GBP281240-••L	2977	95,2	95,2	94,4	0,88	190	7,5	353	2,4	3,1	1,15	725	75
250	M3BP 315LKB 2	3GBP311820-••L	2983	95,8	96,0	95,5	0,90	419	7,7	800	2,5	3,3	2,9	1540	81

¹⁾ Temperature rise class F

²⁾ Unidirectional fan, variant code 044 or 045 is mandatory

Mining industry design must be selected when ordering.
Option code: 625 - Design for mining applications.

Technical data

IE3 cast iron mining motors 1500 r/min

Technical data for 400 V 50 Hz motors can be found in the table below, data for other voltages on request

Output kW	Motor type	Product code	Speed r/min	Efficiency IEC 60034-30-1; 2014			Power factor Cosφ	Current		Torque			Moment of inertia J = 1/4 GD ² kgm ²	Weight kg	Sound pressure Level L _{PA} dB
				Full load 100%	3/4 load 75%	1/2 load 50%		I _N A	I _s /I _N	T _N Nm	T _r /T _N	T _b /T _N			
1500 r/min = 4 poles				400 V 50 Hz			CENELEC-design								
0.25	M3BP 71MD 4	3GBP072340-●●L	1416	73,5	75,1	73,8	0,80	0,6	4,8	1,68	2	2,6	0,0009	11	45
0.37	M3BP 71MLE 4	3GBP072450-●●L	1432	77,3	77,4	74,5	0,76	0,9	5,8	2,46	2,7	3,3	0,00122	15	45
0.55	M3BP 80MLC 4	3GBP082430-●●L	1444	80,8	81,6	80,1	0,80	1,2	6,7	4	3,0	3,5	0,0028	20	45
0.75	M3BP 80MLE 4	3GBP082450-●●L	1448	82,5	82,5	80,1	0,78	1,7	7,4	4,9	3,5	4,0	0,0033	22	50
1.1	M3BP 90LA 4	3GBP092510-●●L	1443	84,1	84,6	83,5	0,76	2,4	5,2	7,3	3,4	4,2	0,0049	28	56
1.5	M3BP 90LB 4	3GBP092520-●●L	1445	85,3	85,0	82,6	0,77	3,3	5,7	9,9	3,8	4,6	0,0067	32	56
2.2	M3BP 100LA 4	3GBP102510-●●L	1448	86,7	89,0	86,1	0,81	4,5	7,5	14	2,3	3,6	0,0109	38	56
3	M3BP 100MLB 4	3GBP102420-●●L	1444	87,7	88,4	87,6	0,81	6,1	7,0	19,8	3,3	4,1	0,0121	42	58
4	M3BP 112ME 4	3GBP112350-●●L	1453	88,6	88,9	88,0	0,74	8,9	7,8	26	3,5	4,3	0,0188	52	59
5.5	M3BP 132SMB 4	3GBP132220-●●L	1463	89,6	89,8	88,7	0,74	11,9	7,6	36	2,8	3,9	0,0295	68	70
7.5	M3BP 132SME 4	3GBP132250-●●L	1462	90,4	90,8	90,2	0,76	15,7	7,9	49	3,0	4,0	0,0376	78	64
11	M3BP 160MLA 4	3GBP162410-●●L	1477	91,4	91,8	91,1	0,82	21,1	7,6	71,3	2,6	3,3	0,11	160	61
15	M3BP 160MLB 4	3GBP162420-●●L	1477	92,1	92,4	91,6	0,82	28,5	8,2	97	3,0	3,7	0,135	179	61
18.5	M3BP 180MLA 4	3GBP182410-●●L	1481	92,6	93,2	92,9	0,83	34,9	7,2	119	2,8	3,0	0,219	215	60
22	M3BP 180MLB 4	3GBP182420-●●L	1481	93	93,5	93,3	0,82	41,4	6,5	142	3,0	3,2	0,243	229	60
30	M3BP 200MLA 4	3GBP202410-●●L	1483	93,6	93,8	93,4	0,84	54,8	7,5	193	2,7	3,2	0,385	292	63
37	M3BP 225SMA 4	3GBP222210-●●L	1482	93,9	94,1	93,8	0,83	68,9	7,2	239	3,1	3,1	0,427	322	67
45	M3BP 225SMB 4	3GBP222220-●●L	1482	94,2	94,4	94,0	0,84	82,3	8,0	290	3,2	3,5	0,525	357	66
55	M3BP 250SMA 4	3GBP252210-●●L	1482	94,6	94,7	94,0	0,84	100	7,1	354	2,9	3,4	0,694	406	68
75	M3BP 280SMB 4	3GBP282220-●●L	1485	95,0	95,2	94,8	0,86	133	6,4	483	2,3	2,8	1,38	645	75
90	M3BP 280SMC 4	3GBP282230-●●L	1485	95,2	95,5	95,2	0,86	158	7,1	578	2,5	2,9	1,73	700	75
110	M3BP 315SMB 4	3GBP312220-●●L	1489	95,4	95,5	94,9	0,84	195	7,0	705	2,1	3,0	2,43	930	71
132	M3BP 315SMC 4	3GBP312230-●●L	1488	95,6	95,9	95,5	0,86	231	6,7	847	2,2	2,9	2,9	1000	71
160	M3BP 315SMD 4	3GBP312240-●●L	1488	95,8	96,0	95,8	0,85	282	6,9	1026	2,2	3,0	3,2	1065	71
200	M3BP 315MLB 4	3GBP312420-●●L	1487	96,0	96,4	96,4	0,86	351	6,8	1284	2,4	3,0	3,9	1220	74
250	M3BP 355SMA 4	3GBP352210-●●L	1491	96,0	96,0	95,6	0,86	435	6,4	1601	2,1	2,9	5,9	1610	78
315	M3BP 355SMB 4	3GBP352220-●●L	1491	96,0	96,1	95,7	0,85	550	7,3	2018	2,4	3,3	6,9	1780	78
355	M3BP 355SMC 4	3GBP352230-●●L	1490	96,0	96,2	95,8	0,86	616	6,3	2273	2,3	2,8	7,2	1820	78
400	M3BP 355MLA 4	3GBP352410-●●G	1489	96,3	96,3	95,9	0,85	705	6,8	2565	2,3	2,6	8,4	2140	78
450	M3BP 355MLB 4	3GBP352420-●●G	1490	96,7	96,7	96,1	0,86	780	6,9	2884	2,3	2,9	8,4	2140	78
500	M3BP 355LKA 4	3GBP352810-●●G	1490	97,0	97,0	96,5	0,86	865	6,8	3204	2,0	3,0	10	2500	78
560	¹⁾ M3BP 355LKB 4	3GBP352820-●●G	1490	96,9	96,9	96,5	0,85	981	7,2	3588	2,6	2,7	10,6	2600	78
560	¹⁾ M3BP 400LA 4	3GBP402510-●●G	1491	96,8	96,8	96,3	0,85	982	7,4	3586	2,4	2,8	15	3200	78
630	M3BP 400LB 4	3GBP402520-●●G	1491	97,0	97,0	96,5	0,87	1077	7,6	4034	2,2	2,9	16	3300	78
710	¹⁾ M3BP 400LC 4	3GBP402530-●●G	1491	97,1	97,1	96,7	0,86	1227	7,6	4547	2,4	3,0	17	3400	78
800	M3BP 450LA 4	3GBP452510-●●G	1491	96,9	96,9	96,4	0,86	1396	7,0	5121	1,3	2,8	23	4050	85
900	M3BP 450LB 4	3GBP452520-●●G	1492	97,1	97,0	96,5	0,86	1573	7,0	5761	1,3	2,8	25	4350	85
1000	¹⁾ M3BP 450LC 4	3GBP452530-●●G	1491	97,2	97,2	96,7	0,86	1724	6,8	6404	1,3	2,7	30	4700	85

Mining industry design must be selected when ordering.
Option code: 625 - Design for mining applications.

Output kW	Motor type	Product code	Speed r/min	Efficiency IEC 60034-30-1; 2014			Power factor Cosφ	Current		Torque			Moment of inertia J = 1/4 GD ² kgm ²	Weight kg	Sound pressure Level L _{PA} dB
				Full load 100%	3/4 load 75%	1/2 load 50%		I _N A	I _S I _N	T _N Nm	T _I T _N	T _b T _N			
1500 r/min = 4 poles				400 V 50 Hz				High-output design							
18.5	M3BP 160MLC 4	3GBP162430-••L	1473	92,6	93,3	93,1	0,82	35,1	8,3	120	3,1	3,5	0,124	180	67
37	M3BP 200MLB 4	3GBP202420-••L	1480	93,9	94,8	94,8	0,82	69,3	7,5	239	2,8	2,9	0,362	305	68
55	M3BP 225SMC 4	3GBP222230-••L	1478	94,6	94,9	94,8	0,84	99,9	7,7	355	3,3	3,3	0,536	391	71
75	M3BP 250SMB 4	3GBP252220-••L	1482	95,0	95,4	95,0	0,84	135	7,9	483	3,3	3,5	0,941	464	73
110	M3BP 280SMD 4	3GBP282240-••L	1486	95,4	95,7	95,3	0,85	196	7,3	707	2,7	3,0	1,95	750	76
132	M3BP 280MLA 4	3GBP282410-••L	1483	95,6	95,9	95,7	0,86	232	7,0	849	2,7	2,8	2,3	840	75
160	M3BP 280MLB 4	3GBP282420-••L	1484	95,8	96,0	95,8	0,86	280	7,4	1029	2,9	2,9	2,5	890	75
250	M3BP 315LKA 4	3GBP312810-••L	1488	96,0	96,3	96,1	0,85	442	6,9	1604	2,5	3,2	4,4	1410	78
280	M3BP 315LKB 4	3GBP312820-••L	1488	96,0	96,2	96,0	0,86	490	7,8	1797	2,7	3,1	5	1520	78
315	M3BP 315LKC 4	3GBP312830-••L	1489	96,0	96,1	95,8	0,85	557	8,3	2020	3,0	3,3	5,5	1600	78

¹⁾ Temperature rise class F

Mining industry design must be selected when ordering.

Option code: 625 - Design for mining applications.

Technical data

IE3 cast iron mining motors 1000 r/min

Technical data for 400 V 50 Hz motors can be found in the table below, data for other voltages on request

Output kW	Motor type	Product code	Speed r/min	Efficiency IEC 60034-30-1; 2014			Power factor Cosφ	Current		Torque			Moment of inertia J = 1/4 GD ² kgm ²	Weight kg	Sound pressure Level L _{PA} dB		
				Full load 100%	3/4 load 75%	1/2 load 50%		I _N A	I _S /I _N	T _N Nm	T _I /T _N	T _b /T _N					
1000 r/min = 6 poles																	
				400 V 50 Hz			CENELEC-design										
0.18	M3BP 71ME 6	3GBP073350-●●L	887	63,9	64,2	59,7	0,74	0,57	3,2	1,9	1,9	2,2	0,00091	10	45		
0.25	M3BP 80MB 6	3GBP083320-●●L	942	68,6	67,0	61,7	0,61	0,82	4,8	2,5	2,7	2,9	0,0019	14	47		
0.37	M3BP 80MC 6	3GBP083330-●●L	936	73,5	73,9	71,1	0,67	1,06	5,1	3,8	2,6	2,9	0,0028	16	50		
0.55	M3BP 80ME 6	3GBP083350-●●L	933	77,2	77,9	75,9	0,68	1,52	5,0	5,6	2,7	2,9	0,0035	18	47		
0.75	M3BP 90SLD 6	3GBP093040-●●L	940	78,9	80,3	79,2	0,75	1,8	4,4	7,6	2,1	2,8	0,0056	29	44		
1.1	M3BP 90LF 6	3GBP093560-●●L	944	81,0	81,7	80,1	0,75	2,6	4,7	11,1	2,1	2,8	0,0068	33	44		
1.5	M3BP 100MLB 6	3GBP103420-●●L	960	82,5	82,5	80,1	0,68	3,8	5,4	14,9	2,7	3,4	0,012	41	49		
2.2	M3BP 112MJ 6	3GBP113390-●●L	962	84,3	85,5	84,7	0,68	5,3	4,2	21,8	1,4	2,3	0,0196	53	66		
3	M3BP 132SMB 6	3GBP133220-●●L	973	85,6	85,1	82,9	0,62	8	6,6	29,2	2,7	3,8	0,0355	75	57		
4	M3BP 132SMF 6	3GBP133260-●●L	971	86,8	86,5	84,7	0,62	10,7	6,6	39	2,7	3,8	0,0416	82	57		
5.5	M3BP 132SMJ 6	3GBP133290-●●L	966	88,0	89,1	88,9	0,73	12,3	4,2	54	1,7	2,7	0,0408	81	57		
7.5	M3BP 160MLA 6	3GBP163410-●●L	975	89,1	90,0	90,0	0,77	15,7	5,7	73,2	1,4	3,0	0,089	146	59		
11	M3BP 160MLB 6	3GBP163420-●●L	975	90,3	91,1	91,1	0,78	22,5	6,4	108	1,6	3,1	0,138	180	64		
15	M3BP 180MLA 6	3GBP183410-●●L	979	91,2	91,9	91,6	0,79	30,1	5,2	147	1,5	2,7	0,212	212	63		
18.5	M3BP 200MLA 6	3GBP203410-●●L	989	91,7	91,9	91,2	0,82	35,2	6,5	179	2,2	3,2	0,496	272	59		
22	M3BP 200MLB 6	3GBP203420-●●L	989	92,2	92,4	91,4	0,81	42,4	7,3	212	2,6	3,5	0,585	297	59		
30	M3BP 225SMA 6	3GBP223210-●●L	988	92,9	93,0	92,2	0,77	60,4	7,7	291	2,9	3,6	0,724	349	63		
37	M3BP 250SMA 6	3GBP253210-●●L	990	93,3	93,7	93,5	0,80	71,1	6,5	357	2,4	3,1	1,3	431	58		
45	M3BP 280SMB 6	3GBP283220-●●L	991	93,7	94,0	93,5	0,84	82	7,4	433	2,7	3,0	1,87	645	72		
55	M3BP 280SMC 6	3GBP283230-●●L	992	94,1	94,3	93,8	0,86	99	7,5	528	2,8	3,0	2,57	725	71		
75	M3BP 315SMB 6	3GBP313220-●●L	994	94,6	94,9	94,6	0,84	136	6,8	720	1,8	2,6	4,1	930	75		
90	M3BP 315SMC 6	3GBP313230-●●L	994	94,9	95,1	94,7	0,84	164	7,2	864	2,0	3,0	4,6	1000	76		
110	M3BP 315SMD 6	3GBP313240-●●L	994	95,1	95,3	95	0,83	200	7,3	1056	2,2	3,1	4,9	1040	75		
132	M3BP 315MLB 6	3GBP313420-●●L	995	95,4	95,5	95,1	0,82	242	7,3	1266	2,3	3,2	6,3	1200	72		
160	M3BP 355SMA 6	3GBP353210-●●L	993	95,6	95,8	95,6	0,82	292	6,7	1538	2,5	2,6	7,9	1520	75		
200	M3BP 355SMB 6	3GBP353220-●●L	993	95,8	96,2	96,1	0,82	365	6,7	1923	2,6	2,5	9,7	1680	75		
250	M3BP 355SMC 6	3GBP353230-●●L	993	95,8	96,1	95,8	0,81	465	7,7	2404	3	3,1	11,3	1820	75		
315	M3BP 355MLB 6	3GBP353420-●●L	993	95,8	96,1	96,0	0,83	571	6,8	3029	2,6	3,2	13,5	2180	76		
355	M3BP 355LKA 6	3GBP353810-●●L	993	95,8	96,0	95,9	0,81	653	7,5	3413	2,9	3,2	15,5	2500	76		
400	M3BP 355LKB 6	3GBP353820-●●G	992	96,0	96,0	95,5	0,83	724	7,2	3850	2,6	2,6	16,5	2600	75		
400	M3BP 400LA 6	3GBP403510-●●G	993	96,2	96,2	95,6	0,82	731	7,1	3846	2,3	2,7	17	2900	76		
450	M3BP 400LB 6	3GBP403520-●●G	994	96,6	96,6	96,1	0,82	819	7,4	4323	2,4	2,8	20,5	3150	76		
500	M3BP 400LC 6	3GBP403530-●●G	993	96,6	96,5	96,1	0,83	891	7,2	4809	2,5	2,7	22	3300	76		
560	M3BP 400LD 6	3GBP403540-●●G	993	96,9	96,9	96,4	0,85	984	7,4	5386	2,4	2,8	24	3400	77		
630	M3BP 450LA 6	3GBP453510-●●G	994	96,7	96,7	96,3	0,84	1127	6,5	6053	1,1	2,5	31	4150	81		
710	M3BP 450LB 6	3GBP453520-●●G	995	96,9	97,0	96,5	0,85	1244	7,0	6814	1,3	2,5	37	4500	81		
800	¹⁾ M3BP 450LC 6	3GBP453530-●●G	995	96,9	96,9	96,4	0,84	1415	7,2	7677	1,3	2,7	41	4800	81		

Output kW	Motor type	Product code	Speed r/min	Efficiency IEC 60034-30-1; 2014			Power factor Cosφ	Current		Torque			Moment of inertia J = 1/4 GD ² kgm ²	Weight kg	Sound pressure Level L _{PA} dB		
				Full load 100%	3/4 load 75%	1/2 load 50%		I _N A	I _S /I _N	T _N Nm	T _I /T _N	T _b /T _N					
1000 r/min = 6 poles																	
				400 V 50 Hz			High-output design										
18.5	M3BP 180MLB 6	3GBP183420-●●L	980	91,7	92,5	92,0	0,75	38,8	6,4	180	2,1	3,1	0,22	219	65		
37	M3BP 225SMB 6	3GBP223220-●●L	985	93,3	93,7	93,4	0,80	71,5	7,0	359	2,7	3,0	0,813	382	68		
45	M3BP 250SMB 6	3GBP253220-●●L	991	93,7	94,1	93,6	0,81	85,5	7,6	434	2,9	3,3	1,5	465	68		
55	M3BP 250SMC 6	3GBP253230-●●L	989	94,1	94,7	94,5	0,80	105	7,1	531	3,0	3,1	1,49	466	68		
75	M3BP 280SMD 6	3GBP283240-●●L	991	94,6	94,9	94,5	0,85	135	7,6	723	2,8	3,0	3	740	73		
160	M3BP 315LKA 6	3GBP313810-●●L	994	95,6	95,8	95,4	0,81	298	7,5	1535	2,2	3,1	7,3	1410	76		
180	M3BP 315LKB 6	3GBP313820-●●L	994	95,8	95,9	95,4	0,82	331	7,6	1729	2,3	3,1	8,3	1520	76		
200	M3BP 315LKC 6	3GBP313830-●●L	993	95,8	96,1	95,8	0,82	367	7,0	1923	2,2	2,8	9,2	1600	76		

¹⁾ Temperature rise class F

Mining industry design must be selected when ordering.
Option code: 625 - Design for mining applications.

Most common variant codes

Cast iron mining motors

Variant codes specify additional options and features to the standard motor. The desired features are listed as three-digit variant codes in the motor order. Note also that there are variants that cannot be used together.

The most common variant codes are listed here. For further information see Process performance motors catalogue.

Most of the variant codes apply to IE2 and IE3 motors. However, confirm the availability of variants for IE3 motors with your ABB sales office before making an order.

Code/Variants	Frame size															
	71	80	90	100	112	132	160	180	200	225	250	280	315	355	400	450
Administration																
530	-	-	-	-	-	-	•	•	•	•	•	•	•	•	•	•
533	•	•	•	•	•	•	•	•	•	•	•	•	•	•	•	•
Bearings and Lubrication																
036	•	•	•	•	•	•	•	•	•	•	•	•	•	•	•	•
037	•	•	•	•	•	•	•	•	•	•	•	•	•	•	•	•
130	-	-	-	-	-	-	•	•	•	•	•	•	•	•	•	•
797	•	•	•	•	•	•	•	•	•	•	•	•	•	•	•	•
798	•	•	•	•	•	•	•	•	•	•	•	•	•	•	•	•
Branch standard designs																
209	•	•	•	•	•	•	•	•	•	•	•	•	•	•	•	•
425	•	•	•	•	•	•	•	•	•	•	•	•	•	•	•	•
Cooling system																
075	•	•	•	•	•	•	•	•	•	•	•	•	•	•	•	•
183	•	•	•	•	•	•	•	•	•	•	•	•	•	•	•	•
514	-	-	-	-	-	-	-	-	-	-	-	•	•	•	•	•
Coupling																
035	-	-	-	-	-	-	-	-	-	-	-	-	•	•	•	•
Documentation																
141	•	•	•	•	•	•	•	•	•	•	•	•	•	•	•	•
Heating elements																
450	•	•	•	•	•	•	•	•	•	•	•	•	•	•	•	•
451	•	•	•	•	•	•	•	•	•	•	•	•	•	•	•	•
Insulation system																
014	•	•	•	•	•	•	•	•	•	•	•	•	•	•	•	•
405	•	•	•	•	•	•	•	•	•	•	•	•	•	•	•	•
406	-	-	-	-	-	-	-	-	•	•	•	•	•	•	•	•
Mounting arrangements																
009	•	•	•	•	•	•	•	•	•	•	•	•	•	•	•	•
Noise reduction																
055	-	-	-	-	-	-	-	-	-	-	-	-	•	•	•	•
Painting																
114	•	•	•	•	•	•	•	•	•	•	•	•	•	•	•	•
711	•	•	•	•	•	•	•	•	•	•	•	•	•	•	•	•
754	•	•	•	•	•	•	•	•	•	•	•	•	•	•	•	•
Protection																
005	•	•	•	•	•	•	•	•	•	•	•	•	•	•	•	•
Rating & instruction plates																
002	•	•	•	•	•	•	•	•	•	•	•	•	•	•	•	•
126	•	•	•	•	•	•	•	•	•	•	•	•	•	•	•	•
135	•	•	•	•	•	•	•	•	•	•	•	•	•	•	•	•
163	•	•	•	•	•	•	•	•	•	•	•	•	•	•	•	•
Shaft & rotor																
069	•	•	•	•	•	•	•	•	•	•	•	•	•	•	•	•
070	•	•	•	•	•	•	•	•	•	•	•	•	•	•	•	•
Stator winding temperature sensors																
437	•	•	•	•	•	•	•	•	•	•	•	•	•	•	•	•
441	•	•	•	•	•	•	•	•	•	•	•	•	•	•	•	•
442	•	•	•	•	•	•	•	•	•	•	•	•	•	•	•	•
503	-	-	-	-	-	-	•	•	•	•	•	•	•	•	•	•
Terminal box																

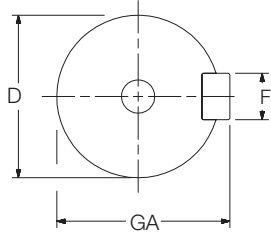
○ = Included as standard | ● = Available as option | - = Not applicable

Code/Variants	Frame size															
	71	80	90	100	112	132	160	180	200	225	250	280	315	355	400	450
019 Larger than standard terminal box.	•	•	•	•	•	•	-	-	-	-	-	•	•	•	•	-
021 Terminal box LHS (seen from D-end).	•	•	•	•	•	•	•	•	•	•	•	•	•	•	•	-
022 Cable entry LHS (seen from D-end).	•	•	•	•	•	•	•	•	•	•	•	•	•	•	•	•
180 Terminal box RHS (seen from D-end).	•	•	•	•	•	•	•	•	•	•	•	•	•	•	•	-
380 Separate terminal box for temperature detectors, std. material	-	-	-	-	-	-	•	•	•	•	•	•	•	•	•	•
418 Separate terminal box for auxiliaries, standard material.	•	•	•	•	•	•	•	•	•	•	•	•	•	•	•	•
466 Terminal box at N-end.	-	-	-	-	-	-	•	•	•	•	•	•	•	•	•	•
468 Cable entry from D-end.	•	•	•	•	•	•	-	-	-	-	-	•	•	•	•	-
469 Cable entry from N-end.	•	•	•	•	•	•	•	•	•	•	•	•	•	•	•	-
567 Separate terminal box material: cast Iron	-	-	-	-	-	-	○	○	○	○	○	•	•	•	•	•
568 Separate terminal box for heating elements, std. material	-	-	-	-	-	-	•	•	•	•	•	•	•	•	•	•
746 Stainless steel cable flange equipped with standard nickel plated brass cable glands	-	-	-	-	-	-	•	•	•	•	•	•	•	•	•	•
Testing																
146 Type test with report for one motor from specific delivery batch.	•	•	•	•	•	•	•	•	•	•	•	•	•	•	•	•
148 Routine test report.	•	•	•	•	•	•	•	•	•	•	•	•	•	•	•	•
149 Test according to separate test specification.	-	-	-	-	-	-	•	•	•	•	•	-	-	-	-	-
150 Customer witnessed testing. Specify test procedure with other codes.	•	•	•	•	•	•	•	•	•	•	•	•	•	•	•	•
222 Torque/speed curve, type test and multi-point load test with report for one motor from specific delivery batch.	•	•	•	•	•	•	•	•	•	•	•	•	•	•	•	•
Variable speed drives																
181 Rating plate with ABB standard loadability values for VSD operation. Other auxiliaries for VSD operation to be selected as necessary.	-	-	-	-	-	-	-	-	-	-	-	-	•	•	•	•
472 1024 pulse tacho (L&L 861007455-1024).	-	-	-	-	•	•	•	•	•	•	•	•	•	•	•	•
473 2048 pulse tacho (L&L 861007455-2048).	-	-	-	-	•	•	•	•	•	•	•	•	•	•	•	•
701 Insulated bearing at N-end.	-	-	-	-	-	-	•	•	•	•	•	•	•	•	•	•
704 EMC cable entry.	•	•	•	•	•	•	•	•	•	•	•	•	•	•	•	•

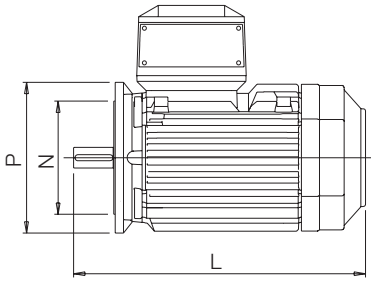
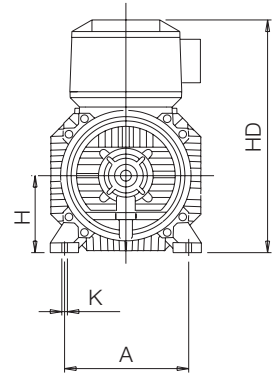
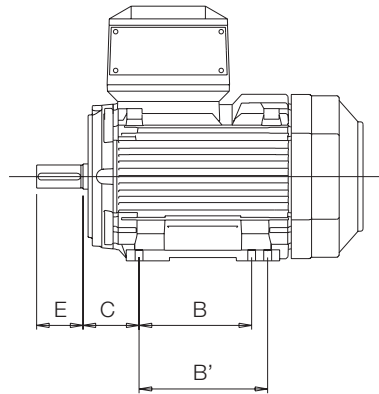
○ = Included as standard | • = Available as option | - = Not applicable

Dimension drawing

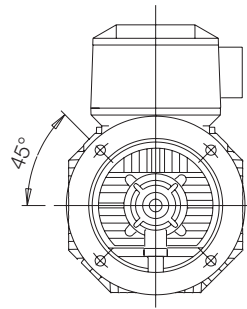
Cast iron mining motors



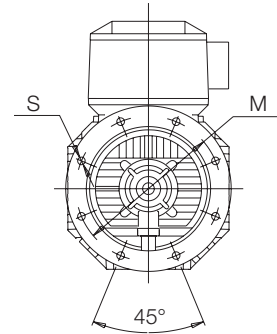
Foot-mounted motor IM 1001, IM B3



Flange-mounted motor IM 3001, IM B5



Sizes 80 to 200



Sizes 225 to 450

Motor size	D poles		GA poles		F poles		E poles		L max poles		O	A	B	B'	C	HD	K	H	M	N	P	S
	2	≥ 4	2	≥ 4	2	≥ 4	2	≥ 4	2	≥ 4												
71M ₋	14	14	16	16	5	5	30	30	264	264	20	112	90		45	178	7	71	130	110	160	10
71ML ₋	14	14	16	16	5	5	30	30	294	294	20	112	90		45	178	7	71	130	110	160	10
80M ₋	19	19	21.5	21.5	6	6	40	40	331	331	20	125	100		50	194	10	80	165	130	200	12
80ML ₋	19	19	21.5	21.5	6	6	40	40	363	363	20	125	100	112	50	194	10	80	165	130	200	12
90SL ₋	24	24	27	27	8	8	50	50	356	356	20	140	100	125	56	218	10	90	165	130	200	12
90L ₋	24	24	27	27	8	8	50	50	390	390	20	140	100	125	56	218	10	90	165	130	200	12
100L ₋	28	28	31	31	8	8	60	60	381	381	25	160	140		63	247	12	100	215	180	250	15
100ML ₋	28	28	31	31	8	8	60	60	403	403	25	160	140		63	247	12	100	215	180	250	15
100LK ₋	28	28	31	31	8	8	60	60	435	435	25	160	140	160	63	247	12	100	215	180	250	15
112 ¹⁾	28	28	31	31	8	8	60	60	403	403	25	190	140		70	259	12	112	215	180	250	15
112 ²⁾	28	28	31	31	8	8	60	60	442	442	25	190	140		70	258	12	112	215	180	250	15
132	38	38	41	41	10	10	80	80	532	532	30	216	140	178	89	300	12	132	265	230	300	15
160 ³⁾	42	42	45	45	12	12	110	110	584	584	45	254	210	254	108	421	14.5	160	300	250	350	19
160 ⁴⁾	42	42	45	45	12	12	110	110	681	681	45	254	210	254	108	421	14.5	160	300	250	350	19
180	48	48	51.5	51.5	14	14	110	110	726	726	50	279	241	279	121	461	14.5	180	300	250	350	19
200	55	55	59	59	16	16	110	110	821	821	70	318	267	305	133	528	18.5	200	350	300	400	19
225	55	60	59	64	16	18	110	140	849	879	80	356	286	311	149	573	18.5	225	400	350	450	19
250	60	65	64	69	18	18	140	140	884	884	90	406	311	349	168	626	24	250	500	450	550	19
280SM ₋	65	75	69	79.5	18	20	140	140	1088	1088	100	457	368	419	190	762 ⁵⁾	24	280	500	450	550	18
280ML ₋	65	75	69	79.5	18	20	140	140	1189	1189	100	457	419	457	190	762 ⁵⁾ / 785 ⁶⁾	24	280	500	450	550	18
315SM ₋	65	75	69	85	18	22	140	170	1174	1204	115	508	406	457	216	852 ⁶⁾	28	315	600	550	660	23
315ML ₋	65	75	69	95	18	25	140	170	1285	1315	115	508	457	508	216	852 ⁶⁾	28	315	600	550	660	23

¹⁾ IE2

²⁾ IE3

³⁾ IE2: MLA, MLB 2 and 8, MLC 2. IE3: MLA 2 only

⁴⁾ IE2: MLB 4-6, MLC 4-8, MLD, MLE. IE3: all others

⁵⁾ Terminal box 210

⁶⁾ Terminal box 370

⁷⁾ Terminal box 750

⁸⁾ Terminal box 1200

Motor size	D poles		GA poles		F poles		E poles		L max poles		O	A	B	B'	C	HD	K	H	M	N	P	S
	2	≥ 4	2	≥ 4	2	≥ 4	2	≥ 4	2	≥ 4												
315LK_	65	75	69	95	18	25	140	170	1491	1521	115	508	508	560	216	852 ⁶⁾ / 880 ⁷⁾	28	315	600	550	660	23
355SM_	70	100	74.5	106	20	28	140	210	1409	1479	130	610	500	560	254	944 ⁶⁾ / 958 ⁷⁾	35	355	740	680	800	23
355ML_	70	100	74.5	106	20	28	140	210	1514	1584	130	610	560	630	254	944 ⁶⁾ / 958 ⁷⁾	35	355	740	680	800	23
355LK_	70	100	74.5	106	20	28	140	210	1764	1834	130	610	630	710	254	944 ⁶⁾ / 958 ⁷⁾	35	355	740	680	800	23
400L_	80	110	85	116	22	28	170	210	1851	1891	150	710	900	1000	224	1045 ⁷⁾	35	400	940	880	1000	28
400LK_	80	100	85	106	22	28	170	210	1851	1891	150	686	710	800	280	1045 ⁷⁾	35	400	740	680	800	24
450	80	120	85	127	22	32	170	210	2147	2187	180	800	1000	1120	250	1169 ⁷⁾ / 1293 ⁸⁾	42	450	1080	1000	1150	28

¹⁾ IE2

²⁾ IE3

³⁾ IE2: MLA, MLB 2 and 8, MLC 2. IE3: MLA 2 only

⁴⁾ IE2: MLB 4-6, MLC 4-8, MLD, MLE. IE3: all others

⁵⁾ Terminal box 210

⁶⁾ Terminal box 370

⁷⁾ Terminal box 750

⁸⁾ Terminal box 1200

IM B14 (IM3601), IM3602

Motor size	LA	M	N	P	S	T
71	8	85	70	105	M6	2.5
80	8	100	80	120	M6	3
90	10	115	95	140	M8	3
100	10	130	110	160	M8	3.5
112 ¹⁾	10	130	110	160	M8	3.5
112 ²⁾	14	130	110	160	M8	3.5
132	12	165	130	200	M10	3.5

¹⁾ IE2

²⁾ IE3

Tolerances:

A, B	ISO js 14
C	±0.8
D	ISO j6 < Ø 38 mm ISO k6 ≥ Ø 38 mm, < Ø 50 mm ISO m6 > Ø 50 mm
F	ISO h9
H	+0 / -0.5

Motors in brief

Cast iron mining motors, sizes 71 - 132

Motor size		71	80	90	100	112	132
Stator and end shields	Material	Cast iron					
	Paint color shade	Orange RAL 2011					
	Corrosion class	C3 (medium) according to ISO/EN 12944-5					
Feet	Integrated cast iron feet						
Lifting lugs	-			Detachable lifting eye bolts			
Bearings	D-end 2-pole	6203-RS/C3	6204-2RS/C3	6205-2RS/C3	6206-2RS/C3	6206-2RS/C3	6208-2RS/C3
	D-end 4-8-pole	6203-RS/C3	6204-2RS/C3	6205-2RS/C3	6206-2RS/C3	6206-2RS/C3	6208-2RS/C3
	N-end 2-pole	6202-2RS/C3	6203-2RS/C3	6204-2RS/C3	6205-2RS/C3	6205-2RS/C3 ¹⁾	6208-2RS/C3
	N-end 4-8-pole	6202-2RS/C3	6203-2RS/C3	6204-2RS/C3	6205-2RS/C3	6205-2RS/C3 ¹⁾	6208-2RS/C3
Axially locked bearings	As standard, locked at D-end						
Bearing seals	D-end	Gamma ring					
	N-end	V-ring					
Lubrication	Permanent grease lubrication						
Measuring nipples for condition monitoring of the bearings	-						
Rating plate	Material	Stainless steel					
Terminal box	Material	Cast iron					
	Corrosion class	C3 (medium) according to ISO/EN 12944-5					
	Cover screws	Zinc electroplated steel					
	Connections	Threaded openings	2xM16x1.5	2xM25x1.5	2xM32x1.5		
	Terminals	6 terminals for connection with cable lugs (not included)					
	Cable glands	Not included as standard, available as option					
Fan	Material	Steel					
Fan cover	Material	Steel					
	Paint color shade	Orange RAL 2011					
	Corrosion class	C3 (medium) according to ISO/EN 12944-5					
Stator winding	Material	Copper					
	Insulation	Insulation class F					
	Winding protection	3 pcs thermistors, 150°C					
Rotor winding	Material	Pressure die-cast aluminum					
Balancing method	Half-key balancing as standard						
Keyway	Closed keyway						
Drain holes	M6 threaded hole. Closed and sealed to maintain IP66						
Enclosure	IP 66						
Cooling method	IC 411						

¹⁾ = 6206-2RS/C3 in IE3

Motors in brief

Cast iron mining motors, sizes 160 - 250

Motor size		160	180	200	225	250
Stator and end shields	Material	Cast iron				
	Paint color shade	Orange RAL 2011				
	Corrosion class	C3 (medium) according to ISO/EN 12944-5				
Feet		Integrated cast iron feet, bolted when terminal box on LHS/RHS				
Lifting lugs		Integrated cast iron lifting lugs				
Bearings	D-end 2-pole	6309/C3	6310/C3	6312/C3	6313/C3	6315/C3
	D-end 4-8-pole	6309/C3	6310/C3	6312/C3	6313/C3	6315/C3
	N-end 2-pole	6209/C3	6209/C3	6210/C3	6212/C3	6213/C3
	N-end 4-8-pole	6209/C3	6209/C3	6210/C3	6212/C3	6213/C3
Axially locked bearings		As standard, locked at D-end				
Bearing seals	D-end	Labyrinth seal				
	N-end	V-ring				
Lubrication		Regreasable bearings				
Measuring nipples for condition monitoring of the bearings		As standard				
Rating plate	Material	Stainless steel				
Terminal box	Material	Cast iron				
	Corrosion class	C3 (medium) according to ISO/EN 12944-5				
	Cover screws	Zinc electroplated steel				
Connections	Threaded openings	2xM40x1.5		2xM63x1.5		
	Terminals	6 terminals for connection with cable lugs (not included)				
	Cable glands	Not included as standard, available as option				
Fan	Material	Steel				
Fan cover	Material	Steel				
	Paint color shade	Orange RAL 2011				
	Corrosion class	C3 (medium) according to ISO/EN 12944-5				
Stator winding	Material	Copper				
	Insulation	Insulation class F				
	Winding protection	3 pcs thermistors, 150°C				
Rotor winding	Material	Pressure die-cast aluminum				
Balancing method		Half-key balancing as standard				
Keyway		Closed keyway				
Drain holes		M6 threaded hole. Closed and sealed to maintain IP66				
Enclosure		IP 66				
Cooling method		IC 411				

Motors in brief

Cast iron mining motors, sizes 280 - 450

Motor size		280	315	355	400	450
Stator and end shields	Material	Cast iron				
	Paint color shade	Orange RAL 2011				
	Corrosion class	C3 (medium) according to ISO/EN 12944-5				
Feet	Integrated cast iron feet					
Lifting lugs	Detachable lifting eye bolts					
Bearings	D-end 2-pole	6316/C3	6316/C3	6316M/C3	6317M/C3	6317M/C3
	D-end 4-8-pole	6316/C3	6319/C3	6322/C3	6324/C3	6326M/C3
	N-end 2-pole	6316/C3	6316/C3	6316M/C3	6317M/C3	6317M/C3
	N-end 4-8-pole	6313/C3	6316/C3	6316/C3	6319/C3	6322/C3
Axially locked bearings	As standard, locked at D-end					
Bearing seals	D-end	Labyrinth seal				
	N-end	Labyrinth seal				
Lubrication	Regreasable bearings					
Measuring nipples for condition monitoring of the bearings	As standard					
Rating plate	Material	Stainless steel				
Terminal box	Material	Cast iron				
	Corrosion class	C3 (medium) according to ISO/EN 12944-5				
	Cover screws	Zinc-electroplated steel				
Connections	Threaded openings	2xM63x1.5	2xM63x1.5 2xØ48-60mm	2xM63x1.5 2xØ48-60mm 2xØ60-80mm	2xØ48-60mm 2xØ60-80mm	2xØ60-80mm
		Terminals	6 terminals for connection with cable lugs (not included)			
	Cable glands	Cable flange included, glands as option				
Fan	Material	Steel				
Fan cover	Material	Steel				
	Paint color shade	Orange RAL 2011				
	Corrosion class	C3 (medium) according to ISO/EN 12944-5				
Stator winding	Material	Copper				
	Insulation	Insulation class F				
	Winding protection	3 pcs thermistors, 150°C				
Rotor winding	Material	Pressure die-cast aluminum				
Balancing method	Half-key balancing as standard					
Keyway	Open key way					
Drain holes	M6 threaded hole. Closed and sealed to maintain IP66					
Enclosure	IP 66					
Cooling method	IC 411					

Total product offering

Motors, generators and mechanical power transmission products with a complete portfolio of services

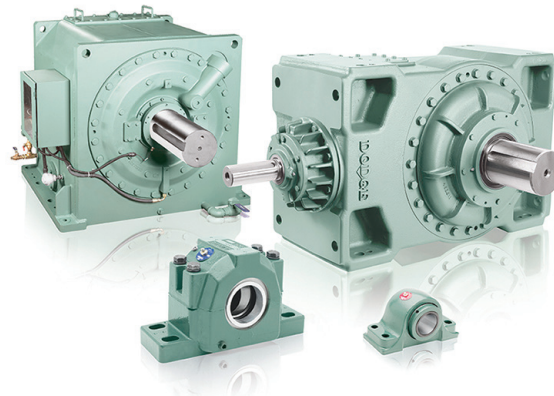


Complete drive packages from a single manufacturer

In addition to low voltage motors, ABB supplies variable speed drives (VSDs) and mechanical power transmission products, including couplings, gear boxes, bearings, pulleys and idlers. This enables ABB to design and build complete drive train solutions using in-house components.

Mining conveyors are slow speed, constant torque applications that often require special expertise to specify and commission correctly. ABB can take responsibility for selecting the motor and VSD combination, setting the optimum parameters, and ensuring that all components are ideally matched to deliver high efficiency and reliability. With many years of experience in mining applications, ABB can advise on a wide range of topics from motor temperature rise and insulation types, through product compatibilities, to bearing systems and shaft shields.

Customers can use ABB as a single source of supply for engineering, equipment and components, warranty, troubleshooting and service. This helps to streamline project management and implementation for OEMs and end customers alike. It gives the customer peace of mind that individual components will be fully compatible and everything will work according to specification.



Variable frequency drives offering for mining

ABB's drives are designed to meet motor-driven application challenges found in the most hostile locations. Together with extensive mining experience and a wide portfolio of life cycle services, we are well positioned to tackle the your most demanding situations.

The benefits of using drives with motors include improved energy efficiency, reduced wear, higher process quality, and reduced need for electrical network compensation devices. Depending of application and drive type there can be more application specific benefits such as power regeneration, lowered harmonics distortion or reduced emissions.

Our portfolio of drives covers AC and DC drives over a wide power range and we can deliver suitable solutions from simple feeder speed control to large rope shovels and mine ventilation systems. Depending on application requirements we can offer from ACS355 machinery drive (from 0.37 kW) to MEGADRIVE-LCI special drive (up to 72 MW).

Алматы (7273)495-231
 Ангарск (3955)60-70-56
 Архангельск (8182)63-90-72
 Астрахань (8512)99-46-04
 Барнаул (3852)73-04-60
 Белгород (4722)40-23-64
 Благовещенск (4162)22-76-07
 Брянск (4832)59-03-52
 Владивосток (423)249-28-31
 Владикавказ (8672)28-90-48
 Владимир (4922)49-43-18
 Волгоград (844)278-03-48
 Вологда (8172)26-41-59
 Воронеж (473)204-51-73
 Екатеринбург (343)384-55-89

Иваново (4932)77-34-06
 Ижевск (3412)26-03-58
 Иркутск (395)279-98-46
 Казань (843)206-01-48
 Калининград (4012)72-03-81
 Калуга (4842)92-23-67
 Кемерово (3842)65-04-62
 Киров (8332)68-02-04
 Коломна (4966)23-41-49
 Кострома (4942)77-07-48
 Краснодар (861)203-40-90
 Красноярск (391)204-63-61
 Курск (4712)77-13-04
 Курган (3522)50-90-47
 Липецк (4742)52-20-81

Россия +7(495)268-04-70

Магнитогорск (3519)55-03-13
 Москва (495)268-04-70
 Мурманск (8152)59-64-93
 Набережные Челны (8552)20-53-41
 Нижний Новгород (831)429-08-12
 Новокузнецк (3843)20-46-81
 Ноябрьск (3496)41-32-12
 Новосибирск (383)227-86-73
 Омск (3812)21-46-40
 Орел (4862)44-53-42
 Оренбург (3532)37-68-04
 Пенза (8412)22-31-16
 Петрозаводск (8142)55-98-37
 Псков (8112)59-10-37
 Пермь (342)205-81-47

Казахстан +7(7172)727-132

Ростов-на-Дону (863)308-18-15
 Рязань (4912)46-61-64
 Самара (846)206-03-16
 Санкт-Петербург (812)309-46-40
 Саратов (845)249-38-78
 Севастополь (8692)22-31-93
 Саранск (8342)22-96-24
 Симферополь (3652)67-13-56
 Смоленск (4812)29-41-54
 Сочи (862)225-72-31
 Ставрополь (8652)20-65-13
 Сургут (3462)77-98-35
 Сыктывкар (8212)25-95-17
 Тамбов (4752)50-40-97
 Тверь (4822)63-31-35

Киргизия +996(312)96-26-47

Тольятти (8482)63-91-07
 Томск (3822)98-41-53
 Тула (4872)33-79-87
 Тюмень (3452)66-21-18
 Ульяновск (8422)24-23-59
 Улан-Уда (3012)59-97-51
 Уфа (347)229-48-12
 Хабаровск (4212)92-98-04
 Чебоксары (8352)28-53-07
 Челябинск (351)202-03-61
 Череповец (8202)49-02-64
 Чита (3022)38-34-83
 Якутск (4112)23-90-97
 Ярославль (4852)69-52-93

<https://abbengines.nt-rt.ru/> || aeg@nt-rt.ru